



CHEF

RANGEHOOD

User Manual

CS910CS, CRC914SB, CRC914DB

CONGRATULATIONS

Congratulations and thank you for choosing our canopy rangehood. We are sure you will find your new rangehood a pleasure to use. Before you use your rangehood, we recommend that you read through the whole user manual, which provides the description of the rangehood and its function.

To avoid the risks that are always present when you use an electrical appliance it is important that the canopy rangehood is installed correctly and that you read the safety instructions carefully to avoid misuse and hazards. We recommend that you keep this instruction booklet for future reference and pass it on to any future owners. After unpacking the canopy rangehood please check it is not damaged. If in doubt, do not use the appliance but contact your local Electrolux Service Centre.

Conditions of use

This appliance is intended to be used in household and similar applications such as:

- Staff kitchen areas in shops, offices and other working environments
- Farm houses
- By clients in hotels, motels and other residential type environments
- Bed and breakfast type environments.

Record model and serial number here:

Model: _____

Serial No: _____



TIPS & INFORMATION

IMPORTANT– CHECK FOR ANY DAMAGES OR MARKS. If you find the rangehood is damaged or marked, you must report it within 7 days if you wish to claim for damage/marks under the manufacturer's warranty. This does not affect your statutory rights.

UNPACKING

Check that the cooker hood has no damage. Transportation damage should immediately be reported to the company responsible for the transportation.

Damage, faults and missing details should immediately be reported to the retailer. Take care of the packing materials so that small children cannot play with them.



ENVIRONMENTAL TIPS

INFORMATION ON DISPOSAL FOR USERS

- Most of the packing materials are recyclable. Please dispose of those materials through your local recycling depot or by placing them in appropriate collection containers.
- If you wish to discard this product, please contact your local authorities and ask for the correct method of disposal.

CONTENTS

Important safety instructions	3
Description of your rangehood	4
Components list	4
Technical specifications	4
Rangehood dimensions	5
Installation	6
Using your rangehood	9
Care & maintenance	9
Troubleshooting	10
Optional ducting accessories	11
Warranty	15

IMPORTANT INFORMATION THAT MAY IMPACT YOUR MANUFACTURER'S WARRANTY

Adherence to the directions for use in this manual is extremely important for health and safety. Failure to strictly adhere to the requirements in this manual may result in personal injury, property damage and affect your ability to make a claim under the manufacturer's warranty provided with your product. Products must be used, installed and operated in accordance with this manual. You may not be able to claim on the manufacturer's warranty in the event that your product fault is due to failure to adhere this manual.

IMPORTANT SAFETY INSTRUCTIONS

This manual explains the proper use of your new canopy rangehood. Please read this manual carefully before using the product. This manual should be kept in a safe place for handy reference.

This canopy rangehood is a domestic appliance which has been manufactured and tested to comply with Australian and New Zealand Standard AS/NZS 60335.2.31.

Meanings of symbols used in this manual are shown below:



CAUTION



This symbol indicates never to do this



This symbol indicates always do this



TIPS & INFORMATION

This symbol indicates tips and information about use of the appliance



ENVIRONMENTAL TIPS

This symbol indicates tips and information about economical and ecological use of the appliance



CAUTION

Read the following carefully to avoid an electric shock or fire.

GENERAL WARNINGS

- ⊘ This appliance is not intended for use by persons (including children) with reduced physical, sensory or mental capabilities, or lack of experience and knowledge, unless they have been given supervision or instruction concerning the use of the appliance by a person responsible for their safety. Children should be supervised to ensure that they do not play with the appliance.
- ✔ Ensure the canopy rangehood is switched off before carrying out maintenance, to avoid any possibility of electric shock.
- ⊘ Do not flambé under the range hood.
- ⊘ This canopy rangehood is not recommended for barbecues and cannot be installed for external use.
- ✔ Grease filters must be removed every four weeks (maximum) for cleaning to reduce the risk of fire.
- ⊘ The exhaust from the canopy rangehood must not be discharged into any heating flue, which may carry combustion products from other sources. (Fig 1)
- ✔ There must be adequate ventilation of the room when the canopy rangehood is used at the same time as appliances burning gas or other fuels.
- ⊘ There is a fire risk if cleaning is not carried out in accordance with the instructions.
- ⊘ **CAUTION:** Accessible parts may become hot when used with cooking appliances.
- ⊘ **WARNING:** Failure to install the screws or fixing device in accordance with these instructions may result in electrical hazards.

- ✔ Always cover lit gas burners with pots or pans when canopy rangehood is in use.
- ✔ Always switch off gas burners before you remove pots or pans.
- ⊘ Do not leave lit gas burners exposed due to the risk of fire. (Fig 2)

ELECTRICAL CONNECTION

Check that the mains voltage matches with the voltage on the data plate inside the canopy rangehood. Check that the installation complies with standards of local building, gas and electrical authorities. Before connecting to the mains supply ensure that the mains voltage corresponds to the voltage on the rating plate inside the cooker hood.

If the supply cord is damaged, it must be replaced by the manufacturer or its service agent or similarly qualified person in order to avoid a hazard.

Means for disconnection must be incorporated in the fixed wiring in accordance with the wiring rules

SAFETY WARNINGS – FOR THE INSTALLER

When installing the cooker hood, make sure you adhere to the minimum and maximum distances from the cooker hood base to the hob surface (refer to page 6).

Exhaust flue installation: The following rules must be strictly followed to obtain optimal air extraction.

- Keep exhaust flue short and straight
- Do not reduce the size or restrict exhaust flue.
- Keep bends in the exhaust flue to a minimum.
- When using flexible flue always install duct with helix pulled taut to minimise pressure loss.
- Failure to observe these basic instructions will drastically reduce the performance and increase the noise levels of the cooker hood.

Exhaust air must not be discharged into a wall cavity, unless the cavity is designed for that purpose.

Range hoods and other cooking fume extractors may adversely affect the safe operation of appliances burning gas or other fuels (including those in other rooms) due to back flow of combustion gases. These gases can potentially result in carbon monoxide poisoning. After installation of a range hood or other cooking fume extractor, the operation of open flued gas appliances should be tested by a competent person to ensure that back flow of combustion gases does not occur.

NOTE: Some installations may require the telescopic exhaust cover to be cut to length. Cut with sharp tin snips or a fine-tooth hack saw blade, taking care not to distort or dent the exhaust cover.

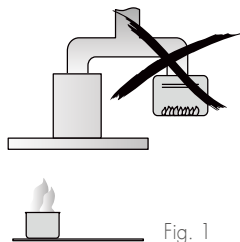


Fig. 1

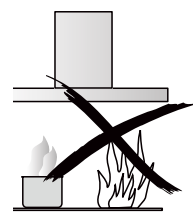
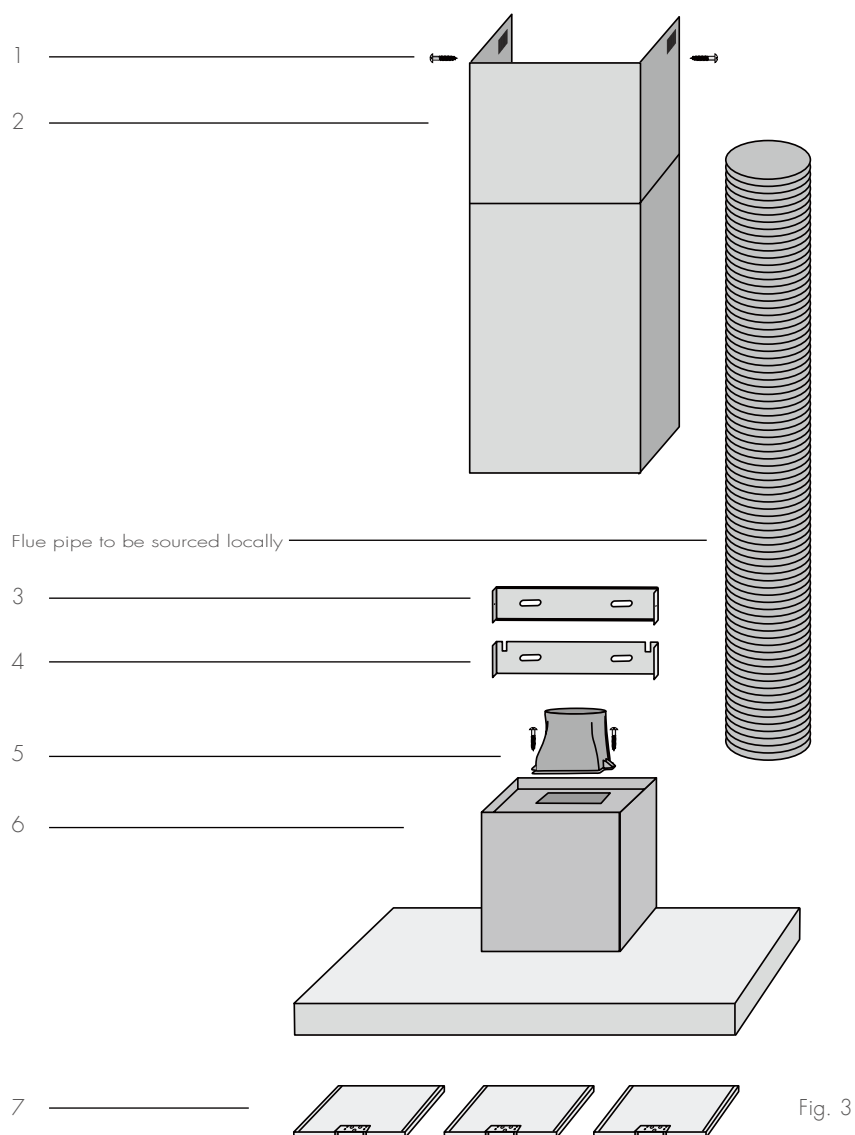


Fig. 2

DESCRIPTION OF YOUR RANGEHOOD



Components list

1. Screws x 2
2. Telescopic flue cover set
3. Upper flue cover mounting bracket
4. Lower flue cover mounting bracket
5. Flue transition duct
6. Main body and fan housing assembly
7. Grease filters

Additional items required for installation

- Fixings required to attach rangehood body and anti tilt points.
- Fixings required to attach flue cover mounting brackets to the wall.
- Duct tape or cable ties.
- Flue pipe.

Technical specifications

MODEL	CS910CS	CRC914SB/CRC914DB
Height	69-113.5cm	69-113.5cm
Width	90cm	90cm
Depth	50cm	50cm
Maximum absorbed power	330W	330W
Lighting	2 x 50W Halogen	2 x 3.5W LED
Outlet diameter	150mm	150mm
Electrical connection	220-240V, 50Hz	220-240V, 50Hz

The manufacturer reserves the right to effect any technological improvement or modification without prior notice.

RANGEHOOD DIMENSIONS

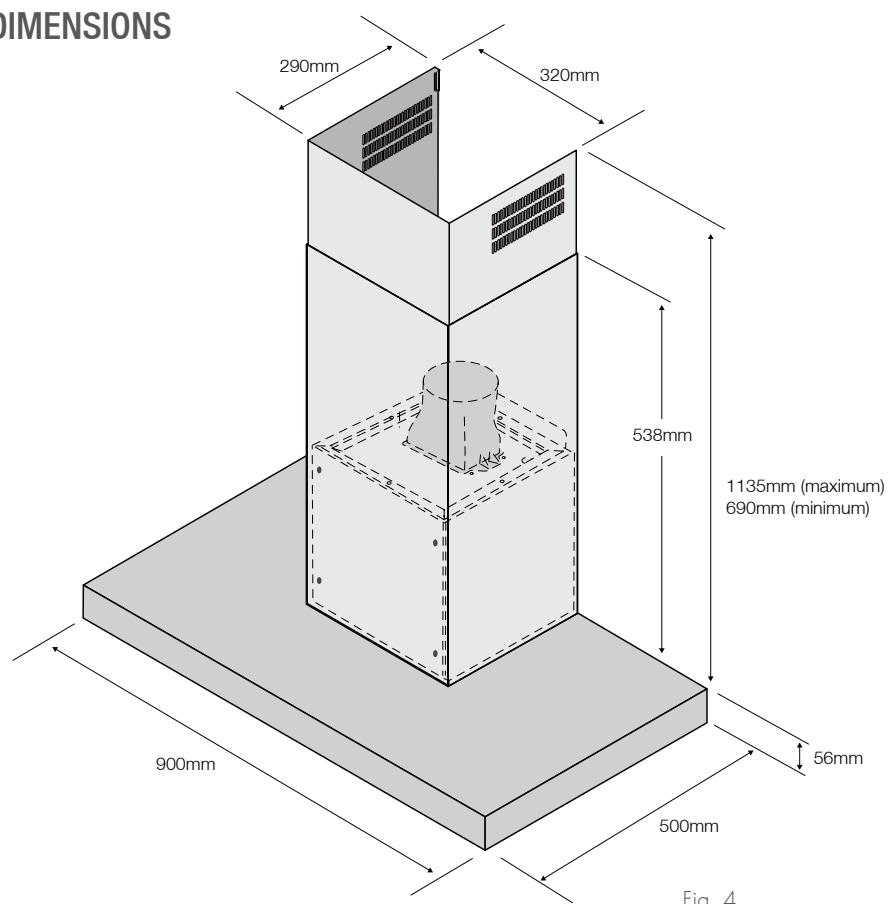


Fig. 4

*NOTE: The fan housing flue transition duct is 150mm in diameter.
(See page 11 for optional ducting accessories).*

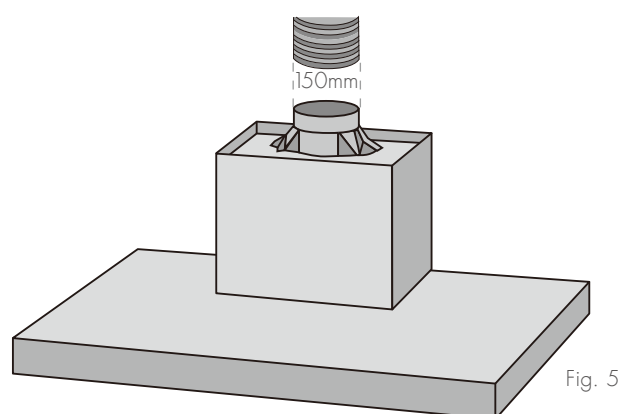
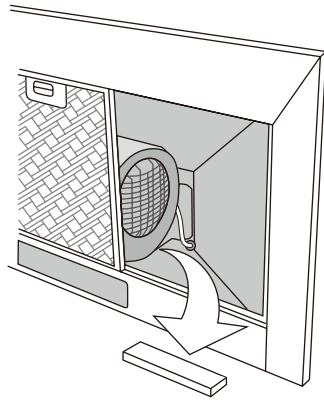


Fig. 5

INSTALLATION

PRE-INSTALLATION

Before installing the cooker hood, peel off any protective plastic covering and remove polystyrene from inside behind the fan motor. See diagram below.



LOCATION

The underside of the hood body must be a minimum of 600mm* above an electric cooktop and 650mm* above a gas cooktop and a maximum height of 800mm.

*If the instructions of the hob specify a greater distance than the minimum above, then that shall be the minimum height for installation.

INSTALLATION

1. Using a spirit level mark a vertical centre line on the wall where the hood is to be positioned, and a horizontal line at the hood base position (refer Fig. 6 below).
2. Mark the location for flue cover wall mounting brackets and rangehood mounting points and anti-tilt fixing points above the hood base using the hood base as the reference point (Fig. 6 below).

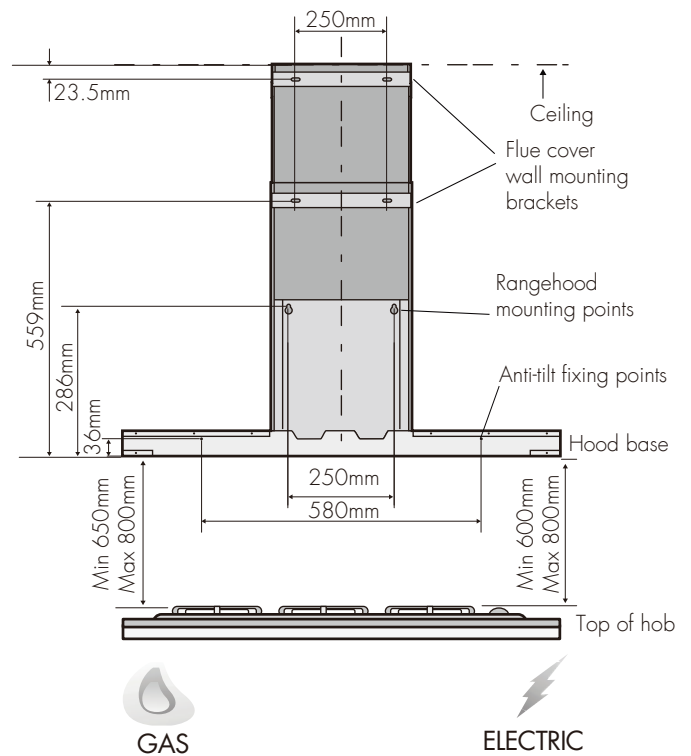


Fig. 6

3. Install flue cover wall mounting brackets with suitable fixings. Install suitable screws for rangehood mounting points (to support a total weight of 30kg) to the wall as marked (Fig. 7).

INSTALLATION

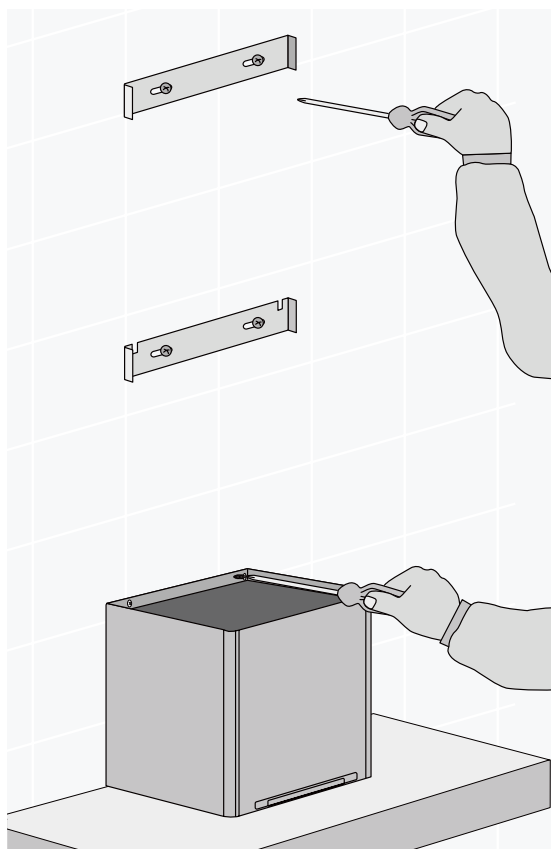


Fig. 7

4. Remove the protective plastic film from the hood body and hang hood on the mounting screws then secure at the anti-tilt locations as indicated in Fig. 6 & 7.
5. Fix exhaust transition duct using screws supplied (Fig. 8).

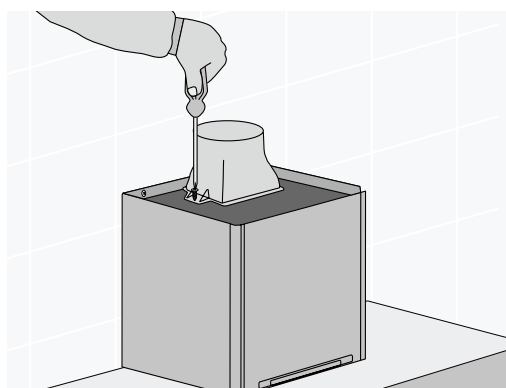


Fig. 8

Depending on the preferred installation/ducting mode, follow step 6a or 6b below.

6a. **Recirculating mode** (Fig. 9). Using the centre line, secure the recirculating T-piece to the wall with suitable screws/fixings (optional kit AR910RK). Install flexible pipe between T-piece and the exhaust transition duct. Use cable ties or suitable duct tape to secure flexible pipe to T-piece and transition duct (Fig. 11).

NOTE: When installed in recirculating mode, it is recommended to use a carbon filter (included in recirculation kit AR910RK) to prevent odours being emitted back into the room.

6b. **Ducted mode** (Fig 10.) The rangehood can be connected with a 150mm diameter non-combustible flue pipe (rigid or flexible - not included) and fan transition duct. Continue the centre line to the ceiling. Fit preferred flue pipe to the fan transition duct. Use cable ties or suitable duct tape to secure flexible pipe to the transition duct.

NOTE: For ducted mode, extend the flue pipe through the roof to external 'china hat' to vent exhaust externally. Do not vent into the ceiling cavity.

NOTE: To ensure optimum performance of the rangehood, the use of rigid ducting is recommended. The use of bends should be avoided. Rigid flexible ducting is suitable, although loose flexible ducting is unacceptable. All ducting must be fire retardant.

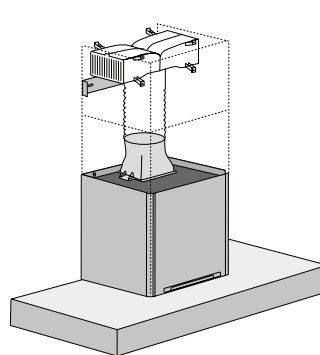


Fig. 9

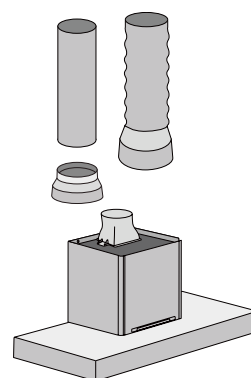


Fig. 10

INSTALLATION

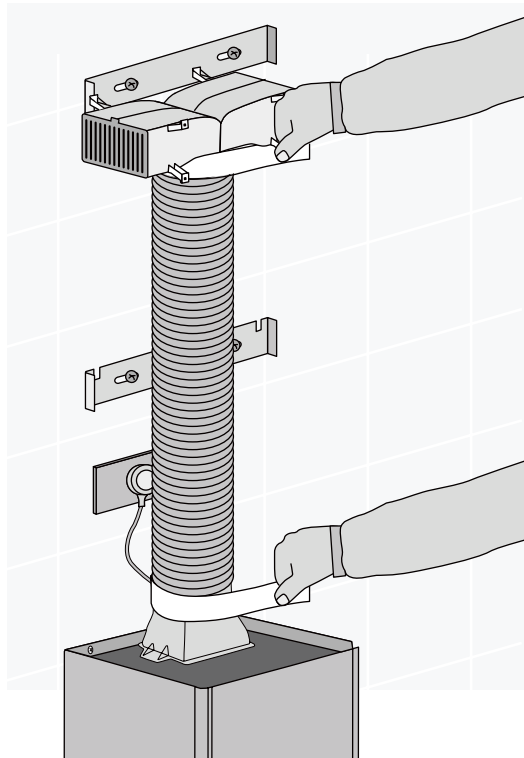
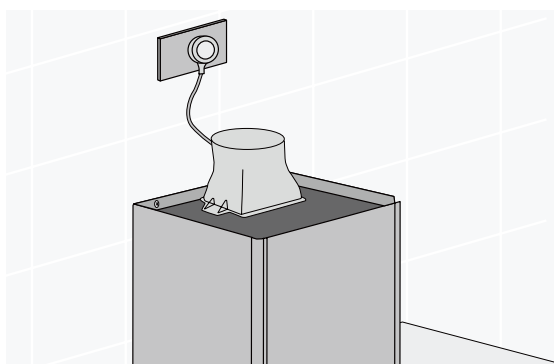


Fig. 11

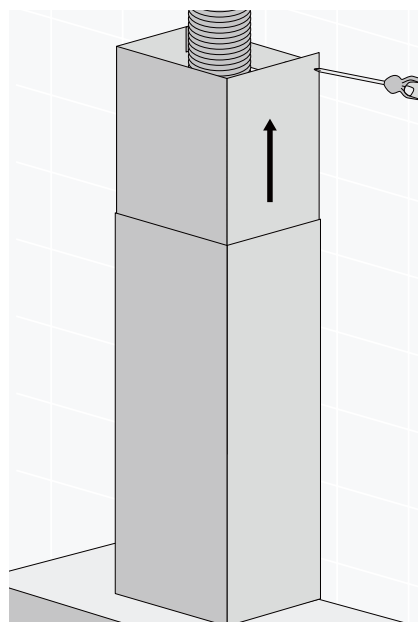
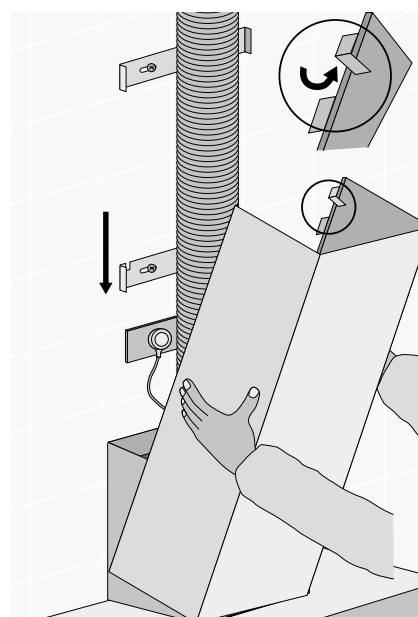
7. Electrical connection

Check that the installation complies with the standards of local building, gas and electrical authorities. Before connecting to the mains supply ensure that the mains voltage corresponds to the voltage on the rating plate inside the rangehood.



Installation of telescopic flue covers

Separate the inner and outer flue covers, and carefully remove the protective coating from both. Carefully reassemble the upper and lower flue covers sections by sliding the inner into the outer flue cover. Carefully lower the assembled upper and lower flue covers onto the top of the rangehood body, and insert the flue cover into the rangehood body approximately 5mm. Fix upper flue cover to the wall mounting bracket with screws supplied. Ensure that the upper section is extended.



CAUTION

Care must be taken to ensure the screws are not cross threaded when attaching the upper flue cover.

If installed in recirculating mode, insert the optional carbon filter (included in recirculation kit AR910RK).

To complete the rangehood installation, insert the three filters to the underside of the hood body. Place back edge of filter into position and push up front edge so that the filter clips into place.

Your rangehood is now ready to use.

CONTROL PANEL

CONTROL PANEL

- Best results are obtained by using a low speed for normal conditions and a high speed when odours are more concentrated.
- Turn the hood on for a few minutes before you start cooking.
- The hood should be left on for 15 minutes after cooking or until all odours have dispersed.
- The control switches are located on the front panel of the unit. See Fig. 12 below.

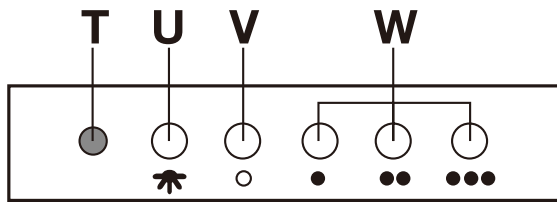


Fig. 12

- The control panel comprises of:
 - **T**: Indicator lamp
 - **U**: Light button
 - **V**: Off button
 - **W**: 3 control switches for the motor (speed positions 1, 2, and 3)

CARE & MAINTENANCE

CAUTION

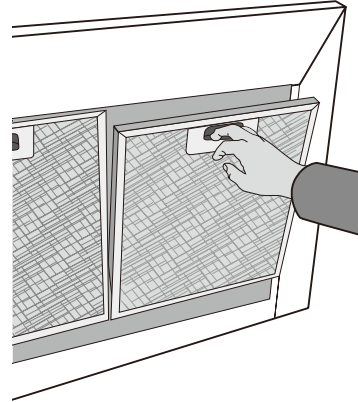
External surfaces are susceptible to scratches and abrasions, so please follow the cleaning instructions to ensure the best possible result is achieved without damage.

Cleaning the hood

- Clean the outside of the hood using a damp cloth and a solution of water and mild washing up liquid. Clean the surface using non-abrasive cleaning products. To ensure best results also use an even pressure. Use of a soft cloth reduces the risk of scratching. If the cloth is wet ensure that a dry soft cloth is used to wipe down the surface again reducing the risk of any surface rust appearing.
- Never use corrosive, abrasive or flammable cleaning products or products containing bleach.
- Never insert pointed objects in the motor's protective grid.
- Only ever clean the switch panel and filter grill using a damp cloth and mild washing up liquid.
- It is extremely important to clean the unit and change the filters at the recommended intervals. Failure to do so will cause grease deposits that could cause a fire.

Removing the metal grease filters

- Push the grease filter towards the back of the unit and then pull it down and out.



Hand washing

Soak grease filters for about one hour in hot water with a grease-loosening cleaner, then rinse off thoroughly with hot water. Repeat the process if necessary. Refit the grease filters when they are dry.

Dishwasher

Place grease filters in the dishwasher. Select the most powerful washing program and highest temperature, at least 65°C. Repeat the process. Refit the grease filters when they are dry. When washing the metal grease filter in the dishwasher a slight discolouration of the filter can occur, this does not have any impact on its performance.

NOTE: The metal grease filters must be removed and washed, either by hand or in the dishwasher, every four weeks.

- Clean the inner housing using a hand hot solution only (never use caustic detergents, abrasive powders or brushes).

Charcoal filter

- The charcoal filter should only be used if you want to use the hood in the recirculation function.
- This filter cannot be cleaned or re-used and as a general rule, the activated charcoal filter should be changed once every four months.

Fitting the charcoal filter

Fit one charcoal filter on the left and one on the right so as to cover the plastic grids that protect the fan wheel.

- Always specify the hood model code number and serial number when ordering replacement filters. This information is shown on the registration plate located on the inside of this unit.
- Replacement charcoal filters can be ordered from your local Service Centre.

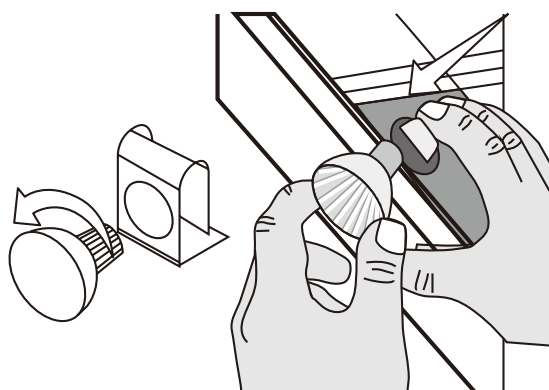
CARE & MAINTENANCE

WARNING

IMPORTANT: The hood must always be disconnected from the electricity supply before beginning any maintenance work.

Changing the lamps

If the lamps need replacing, they must be replaced by lamps with an aluminium reflector, never dichronic lamps to avoid unnecessary overheating in the lamp holders.

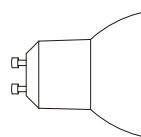


Suitable lamp for replacement

For CRC914SB CRC914DB:
GU10 3.5W LED -> DBR-3.5-H-GU10-50/53

For CS910CS:
GU10 50W Halogen -> HAG-50-230-GU10-50/53

Picture of lamp:



Ensure that the appliance is switched off before carrying out maintenance to avoid any possibility of electric shock.

CAUTION

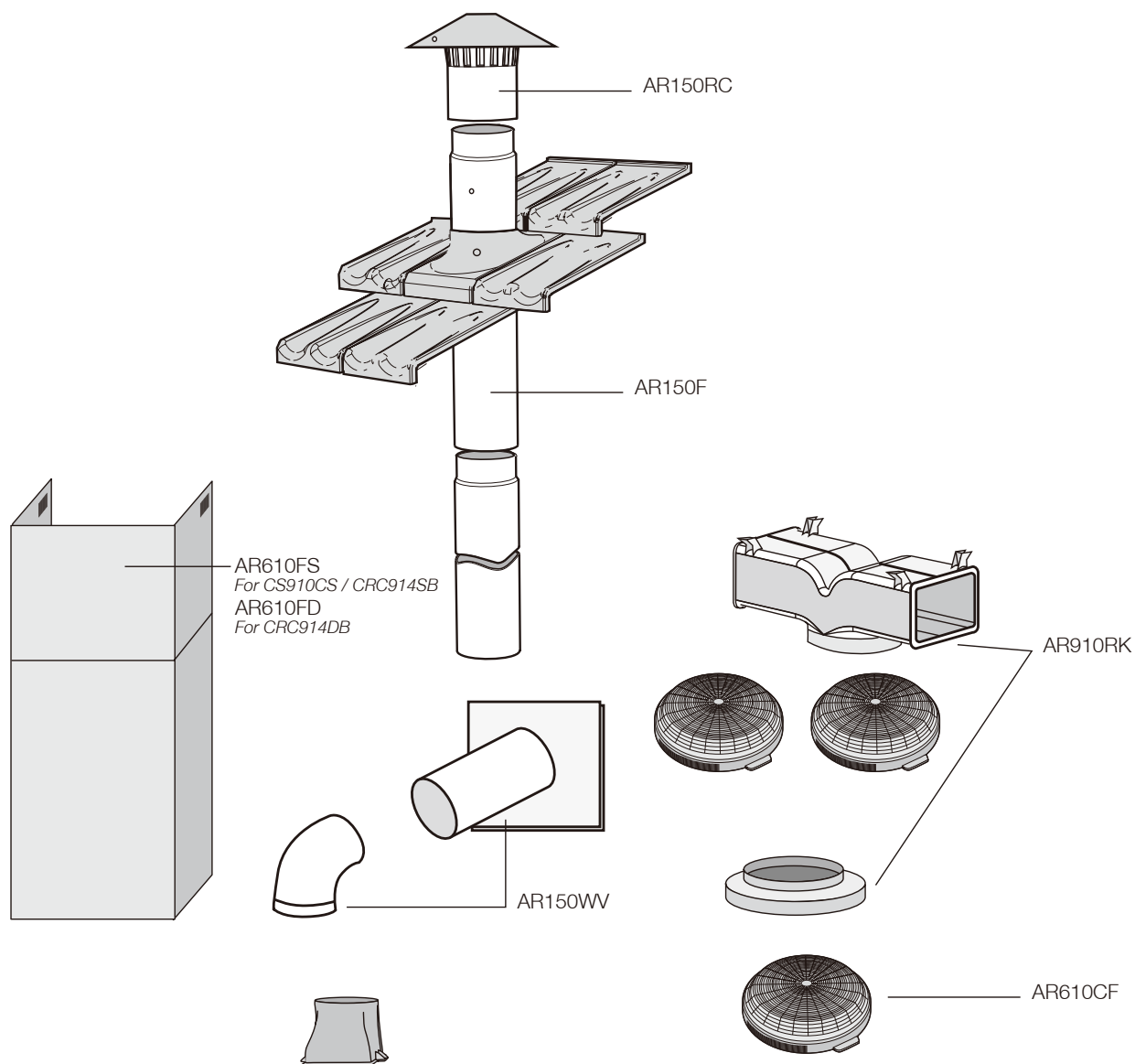
When handling lamps hold with a cloth or gloves to ensure perspiration does not come into contact with the lamp as this can reduce the life of the lamp.

TROUBLESHOOTING GUIDE

PROBLEM	REMEDY
The cooker hood will not start	Check that the hood is connected to an electrical supply
	Check that a fan speed has been selected
The cooker hood is not working	Check that the fan speed is set high enough for the task
	The grease filters are clean
	The kitchen is adequately vented to allow the entry of fresh air
	If set up for recirculation, check that the charcoal filter is still effective
The cooker hood has switched off during operation	If set up for extraction, check that the ducting and outlets are not blocked
	The safety cut-out device has been tripped – turn off the hob and wait for the device to reset. If the hood has been installed below the heights indicated in the installation instructions the motor will cut out frequently which will damage the hood

If you have completed all of the above checks and are still experiencing difficulty, please contact your local Electrolux Service Centre.

OPTIONAL DUCTING ACCESSORIES



Part Numbers	Description
AR150RC	150mm G/Bond Roof Cowl
AR150F	150mm G/Bond Flue 1200mm
AR150WV	150mm Wall Vent & duct
AR910RK	Recirculating Kit (150-120mm reducer, T-piece & carbon filters)
AR610CF	Replacement carbon filter
AR610FS	Stainless steel exhaust cover extension 1200mm
AR610FD	Black exhaust cover extension 1200mm

Electrolux Warranty

FOR SALES IN AUSTRALIA AND NEW ZEALAND
APPLIANCE: CHEF RANGEHOODS

This document sets out the terms and conditions of the product warranties for Chef Appliances. It is an important document. Please keep it with your proof of purchase documents in a safe place for future reference should there be a manufacturing defect in your Appliance. This warranty is in addition to other rights you may have under the Australian Consumer Law.

1. In this warranty:

- (a) 'ACL' or 'Australian Consumer Law' means Schedule 2 to the Competition and Consumer Act 2010;
- (b) 'Appliance' means any Electrolux product purchased by you and accompanied by this document;
- (c) 'ASC' means Electrolux's authorised serviced centres;
- (d) 'Chef' is the brand controlled by Electrolux Home Products Pty Ltd of 163 O'Riordan Street, Mascot NSW 2020, ABN 51 004 762 341 in respect of Appliances purchased in Australia and Electrolux (NZ) Limited (collectively "Electrolux") of 3-5 Niall Burgess Road, Mount Wellington, in respect of Appliances purchased in New Zealand;
- (e) 'Warranty Period' means the period specified in clause 3 of this warranty;
- (f) 'you' means the purchaser of the Appliance not having purchased the Appliance for re-sale, and 'your' has a corresponding meaning.

2. Application: This warranty only applies to new Appliances, purchased and used in Australia or New Zealand and is in addition to (and does not exclude, restrict, or modify in any way) other rights and remedies under a law to which the Appliances or services relate, including any non-excludable statutory guarantees in Australia and New Zealand.

3. Warranty Period: Subject to these terms and conditions, this warranty continues for in Australia for a period of 24 months and in New Zealand for a period of 24 months, following the date of original purchase of the Appliance.

4. Repair or replace warranty: During the Warranty Period, Electrolux or its ASC will, at no extra charge if your Appliance is readily accessible for service, without special equipment and subject to these terms and conditions, repair or replace any parts which it considers to be defective. Electrolux may, in its absolute discretion, choose whether the remedy offered for a valid warranty claim is repair or replacement. Electrolux or its ASC may use refurbished parts to repair your Appliance. You agree that any replaced Appliances or parts become the property of Electrolux.

5. Travel and transportation costs: Subject to clause 7, Electrolux will bear the reasonable cost of transportation, travel and delivery of the Appliance to and from Electrolux or its ASC. Travel and transportation will be arranged by Electrolux as part of any valid warranty claim.

6. Proof of purchase is required before you can make a claim under this warranty.

7. Exclusions: You may not make a claim under this warranty unless the defect claimed is due to faulty or defective parts or workmanship. This warranty does not cover:

- (a) light globes, batteries, filters or similar perishable parts;
- (b) parts and Appliances not supplied by Electrolux;
- (c) cosmetic damage which does not affect the operation of the Appliance;

- (d) damage to the Appliance caused by:
 - (i) negligence or accident;
 - (ii) misuse or abuse, including failure to properly maintain or service;
 - (iii) improper, negligent or faulty servicing or repair works done by anyone other than an Electrolux authorised repairer or ASC;
 - (iv) normal wear and tear;
 - (v) power surges, electrical storm damage or incorrect power supply;
 - (vi) incomplete or improper installation;
 - (vii) incorrect, improper or inappropriate operation;
 - (viii) insect or vermin infestation;
 - (ix) failure to comply with any additional instructions supplied with the Appliance;

In addition, Electrolux is not liable under this warranty if:

- (a) the Appliance has been, or Electrolux reasonably believes that the Appliance has been, used for purposes other than those for which the Appliance was intended, including where the Appliance has been used for any non-domestic purpose;
- (b) the Appliance is modified without authority from Electrolux in writing;
- (c) the Appliance's serial number or warranty seal has been removed or defaced

8. How to claim under this warranty: To enquire about claiming under this warranty, please follow these steps:

- (a) carefully check the operating instructions, user manual and the terms of this warranty;
- (b) have the model and serial number of the Appliance available;
- (c) have the proof of purchase (e.g. an invoice) available;
- (d) telephone the numbers shown below.

9. Australia: For Appliances and services provided by Electrolux in Australia: Electrolux goods come with guarantees that cannot be excluded under the Australian Consumer Law. You are entitled to a replacement or refund for a major failure and for compensation for any other reasonably foreseeable loss or damage. You are also entitled to have the Appliance repaired or replaced if the Appliance fails to be of acceptable quality and the failure does not amount to a major failure. 'Acceptable quality' and 'major failure' have the same meaning as referred to in the ACL.

10. New Zealand: For Appliances and services provided by Electrolux in New Zealand, the Appliances come with a guarantee by Electrolux pursuant to the provisions of the Consumer Guarantees Act, the Sale of Goods Act and the Fair Trading Act. Where the Appliance was purchased in New Zealand for commercial purposes the Consumer Guarantee Act does not apply.

11. Confidentiality: You accept that if you make a warranty claim, Electrolux and its agents including ASC may exchange information in relation to you to enable Electrolux to meet its obligations under this warranty.

Important Notice

Before calling for service, please ensure that the steps listed in clause 8 above have been followed.

AUSTRALIA	FOR SERVICE or to find the address of your nearest authorised service centre in Australia PLEASE CALL 13 13 49 <small>For the cost of a local call</small>	FOR SPARE PARTS or to find the address of your nearest spare parts centre in Australia PLEASE CALL 13 13 50 <small>For the cost of a local call</small>
NEW ZEALAND	FOR SERVICE or to find the address of your nearest authorised service centre in New Zealand PLEASE CALL 0800 10 66 10	FOR SPARE PARTS or to find the address of your nearest spare parts centre in New Zealand PLEASE CALL 0800 10 66 20



LIKE TO KNOW MORE?

For further information on all Chef appliances, or to obtain detailed dimension and installation information, call into your Retailer, phone or email our Customer Care team or visit our website:

Australia

phone: 13 13 49

email: customercare@electrolux.com.au

web: chefappliances.com.au

New Zealand

phone: 0800 10 66 10

email: customercare@electrolux.co.nz

web: chefappliances.com.au

**Chef. We are part of the Electrolux family.
Share more of our thinking at electrolux.com.au**

Part number: 342-1-596 Rev B

© 2020 Electrolux Home Products Pty Ltd

ABN 51 004 762 341

C_MAN_Feb21