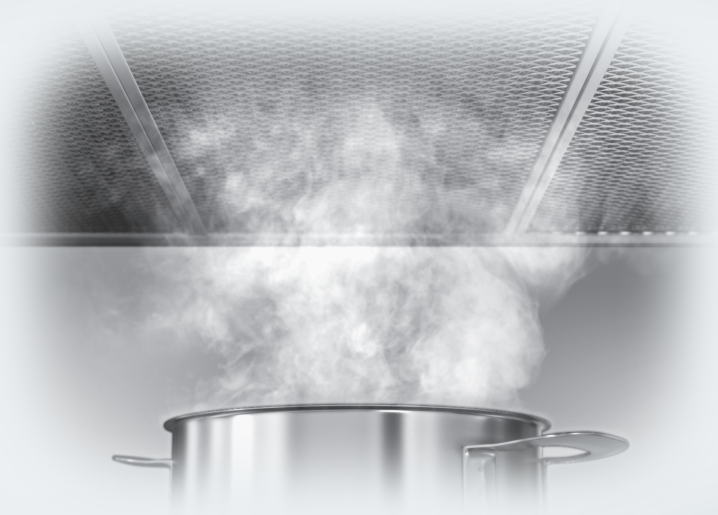


# Operating and installation instructions

## Rangehood



To prevent the risk of accidents or damage to the appliance, it is **essential** to read these instructions before it is installed and used for the first time.

# Contents

---

<b>Warning and Safety instructions</b> .....	3
<b>Caring for the environment</b> .....	12
<b>Description of the functions</b> .....	13
<b>Guide to the appliance</b> .....	14
<b>Operation</b> .....	16
Switching the fan on.....	16
Selecting a power level .....	16
Switching the fan off .....	16
Switching the cooktop lighting on/off .....	16
<b>Energy saving tips</b> .....	17
<b>Cleaning and care</b> .....	18
Housing .....	18
Grease filters .....	19
NoSmell active charcoal filters .....	21
Disposing of the charcoal filters .....	21
Changing a lamp .....	22
<b>After sales service and warranty</b> .....	23
Position of the data plate .....	23
Warranty: Other countries .....	23
<b>Installation</b> .....	24
Before installation.....	24
Installation recommendations .....	24
Appliance dimensions .....	24
Safety distance (S) .....	25
Fitting the furniture front.....	26
Depth adjustment.....	27
Wall installation.....	27
Height adjustment .....	29
Connecting to adjacent furniture units/fitting side panels.....	29
For air extraction mode .....	30
For recirculation mode.....	31
Mains connection .....	31
<b>Electrical connection</b> .....	32
<b>Connection for air extraction</b> .....	33
<b>Technical data</b> .....	34

## Warning and Safety instructions

This appliance complies with all relevant local and national safety requirements. Inappropriate use can, however, lead to personal injury and damage to property.

To avoid the risk of accidents and damage to the appliance, please read these instructions carefully before using it for the first time. They contain important notes on the safety, installation, use and maintenance of the appliance. Miele cannot be held liable for non-compliance with these instructions.

Keep these instructions in a safe place and ensure that all users are familiar with the contents. Pass them on to any future owner of the appliance.

### Correct application

▶ This rangehood is designed for domestic use and for use in similar environments by guests in hotel or motel rooms, bed & breakfasts and other typical living quarters. This does not include common/shared facilities or commercial facilities within hotels, motels or bed & breakfasts.

▶ The appliance is not suitable for outdoor use.

▶ It must only be used to extract vapours and remove odours from cooking.

Any other usage is at the owner's risk. Miele cannot be held liable for damage resulting from incorrect or improper use or operation.

▶ Where a recirculation rangehood is fitted above a gas cooktop, please ensure that there is an adequate supply of fresh air into the room in which it is installed. Please seek the advice of a qualified gas fitter if necessary.

## Warning and Safety instructions

---

▶ This appliance is not intended for use by persons (including children) with reduced physical, sensory or mental capabilities, or lack of experience and knowledge, unless they have been given supervision or instruction concerning its use by a person responsible for their safety, and are able to recognise the dangers of misuse.

### **Safety with children**

▶ Young children must not be allowed to use this appliance.

▶ Older children may only use the appliance when its operation has been clearly explained to them and they are able to use it safely, recognising the dangers of misuse.

▶ Cleaning work may only be carried out by older children under the supervision of an adult.

▶ Children should be supervised near the appliance. Ensure that they do not play with the appliance.

▶ Danger of suffocation! Children may be able to wrap themselves in packing material or pull it over their head with the risk of suffocation. Keep children away from any packing material.

### Technical safety

- ▶ Repairs and other work by unqualified persons could be dangerous. Installation, maintenance work and repairs to electrical appliances must only be carried out by a Miele approved service technician.
- ▶ A damaged appliance can be dangerous. Check it for visible signs of damage. Do not use a damaged appliance.
- ▶ The electrical safety of this appliance can only be guaranteed when continuity is complete between it and an effective earthing system. It is most important that this basic safety requirement is present and tested regularly and, where there is any doubt, the household wiring system should be inspected by a qualified electrician.
- ▶ Reliable and safe operation of this rangehood can only be assured if it has been connected to the mains electricity supply.
- ▶ Before connecting the appliance to the mains supply, ensure that the connection data on the data plate (voltage and frequency) matches the mains electricity supply. This data must correspond in order to avoid the risk of damage to the appliance. Consult a qualified electrician if in any doubt.
- ▶ Do not connect the appliance to the mains electricity supply by a multi-socket unit or an extension lead. Extension leads are a fire hazard and do not guarantee the required safety of the appliance.

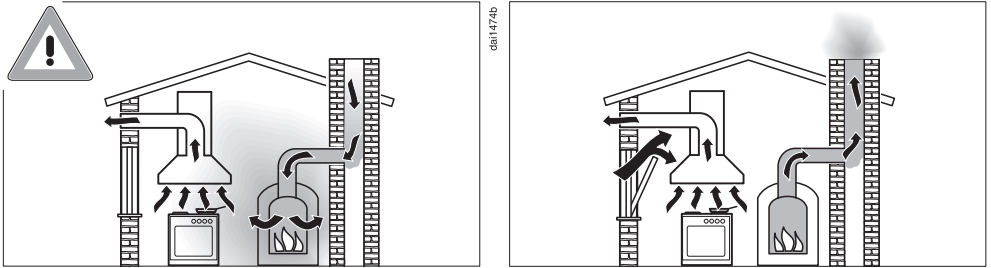
## Warning and Safety instructions

---

- ▶ For safety reasons, this appliance may only be used after it has been built in.
- ▶ This rangehood must not be installed and operated in mobile installations (e.g. on a ship).
- ▶ Tampering with electrical connections or components and mechanical parts is highly dangerous to the user and can cause operational faults.  
Only open the housing as described in the instructions given in the installation sheet and in the Cleaning and care section of this booklet. Under no circumstances should any other parts of the housing be opened.
- ▶ The manufacturer's warranty will be invalidated if the appliance is not repaired by a Miele approved service technician.
- ▶ Faulty components must only be replaced by genuine Miele spare parts. The manufacturer can only guarantee the safety of the appliance when Miele replacement parts are used.
- ▶ If the mains connection cable is damaged, it must only be replaced by a Miele authorised service technician or suitably qualified electrician in order to avoid a hazard.
- ▶ During installation, maintenance and repair work, the appliance must be disconnected from the mains electricity supply. It is only completely isolated from the electricity supply when:
  - the mains circuit breaker is switched off, or
  - it is switched off at the wall socket and the plug is withdrawn from the socket. Do not pull the mains connection cable but the mains plug to disconnect your appliance from the mains electricity supply.

# Warning and Safety instructions

Using at the same time as other heating appliances that depend on the air from the room



**⚠ Warning - danger of toxic fumes!**

Great care should be taken when using the rangehood at the same time and in the same room or area of the house as another heating appliance which depends on the air in the room.

Such appliances include gas, oil, wood or coal-fired boilers and heaters, continuous flow or other water heaters, gas cooktops, or ovens which draw air in from the room and duct exhaust gases out through a chimney or extraction ducting.

When used in extraction mode, with or without an external motor fitted, or in recirculation mode with a recirculation box installed outside the room, the appliance draws air in from the room in which it is installed and from neighbouring rooms.

If there is insufficient air, an underpressure will occur. The heating appliance will be starved of oxygen, impairing combustion.

Harmful gases could be drawn out of the chimney or extraction ducting back into the room, with potentially fatal consequences.

## Warning and Safety instructions

---

In order to ensure safe operation, and to prevent gases given off by the heating appliances from being drawn back into the room when the rangehood and the heater are in operation simultaneously, an underpressure in the room of 0.04 mbar (4 pa) is the maximum permissible.

Ventilation can be maintained by air inlets which cannot be blocked, in windows, doors or outside wall vents, or by other technical measures, such as ensuring that the rangehood can only be switched on when the heating appliance is switched off or vice versa. A ventilation brick alone is not generally sufficient to ensure safe ventilation.

The overall ventilation condition of the dwelling must be taken into account. If in any doubt, the advice of a competent builder, or for gas a qualified gas fitter (registered with an official gas safety body in accordance with national safety regulations), must be sought.

If the rangehood is used in recirculation mode, where the air is directed back into the room in which it is located, operating a heating appliance which depends on the room air at the same time is not hazardous.



### Correct use

- ▶ Never use an open flame beneath the rangehood. To avoid the danger of fire, do not flambé or grill over an open flame. When switched on, the rangehood could draw flames into the filter. Fat deposits could ignite, presenting a fire hazard.
- ▶ The rangehood can become damaged when exposed to excessive heat.
  - When using the rangehood over a gas cooktop, ensure that any burners in use are always covered by a pan. Switch the cooking zone off when a pan is removed, even for a short time.
  - Select a pan which is suitable for the size of the burner.
  - Regulate the flame so that it does not burn up the sides of the pan.
  - Avoid overheating the pan (e.g. when cooking with a wok).
- ▶ Always switch the rangehood on when a cooking zone is in use, otherwise condensation may collect in the rangehood, which could cause corrosion.
- ▶ When cooking with oil or fat, chip pans and deep fat fryers etc., do not leave the pans unattended. Never leave an open grill unattended when grilling. Overheated oil and fat can ignite and could set the rangehood on fire.

## Warning and Safety instructions

---

- ▶ Do not use the rangehood without the filters in place. This way you will avoid the risk of grease and dirt getting into the appliance and hindering its smooth operation.
- ▶ The rangehood can get very hot during cooking due to heat rising from the cooktop.  
Do not touch the housing or the grease filters until the rangehood has cooled down.

### Correct installation

- ▶ Refer to the cooktop manufacturer's instructions as to whether a rangehood may be operated above the cooktop.
- ▶ Safety regulations prohibit the fitting of a rangehood over solid fuel stoves.
- ▶ Insufficient distance between the cooktop and the rangehood can result in damage to the rangehood.  
The minimum safety distances between the top of the cooktop and the bottom of the rangehood given in the "Installation" section must be maintained, unless the cooktop manufacturer states that a greater distance is required.  
If more than one cooking appliance is fitted beneath the rangehood, and they have different minimum safety distances to the rangehood, select the greater distance.
- ▶ The distances given in "Installation" must be observed when fitting the rangehood.

## Warning and Safety instructions

---

- ▶ All ducting, pipework and fittings must be of non-flammable material. These can be obtained from builders' merchants.
- ▶ The appliance must not be connected to a chimney or vent flue which is in current use for exhausting fumes from appliances burning gas or other fuels. Neither should it be connected to ducting which ventilates rooms with fireplaces.
- ▶ If exhaust air is to be extracted into a chimney or ventilation duct no longer used for other purposes, seek professional advice.

### Cleaning and care

- ▶ There is a risk of fire if cleaning is not carried out as described in these operating instructions.
- ▶ Do not use a steam cleaning appliance to clean this appliance. The steam could reach electrical components and cause a short circuit.
- ▶ In areas which may be subject to infestation by cockroaches or other vermin, pay particular attention to keeping the machine and its surroundings in a clean condition at all times. Any damage which may be caused by cockroaches or other vermin will not be covered by the machine warranty.

### Accessories

- ▶ Use only genuine original Miele spare parts. If spare parts or accessories from other manufacturers are used, the warranty will be invalidated, and Miele cannot accept liability.

# Caring for the environment

---

## Disposal of the packing material

The transport and protective packaging has been selected from materials which are environmentally friendly for disposal, and can normally be recycled.

Recycling the packaging reduces the use of raw materials in the manufacturing process and also reduces the amount of waste in landfill sites. Ensure that any plastic wrappings, bags etc. are disposed of safely and kept out of the reach of babies and young children. Danger of suffocation.

## Disposing of your old appliance

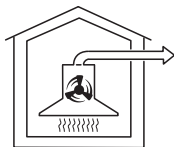
Electrical and electronic appliances often contain valuable materials. They also contain specific materials, compounds and components, which were essential for their correct function and safety. These could be hazardous to human health and to the environment if disposed of with your domestic waste or if handled incorrectly. Please do not, therefore, dispose of your old appliance with your household waste.



Please dispose of it at your local community waste collection / recycling centre for electrical and electronic appliances. You are also responsible for deleting any personal data that may be stored on the appliance prior to disposal. Please ensure that your old appliance poses no risk to children while being stored prior to disposal.

Depending on the model of the rangehood, the following options are available:

### Air extraction mode



da100494a

The air is drawn in and cleaned by the grease filters and directed outside.

### Non-return flap

The non-return flap is designed to prevent the exchange of room and outside air taking place.

The flap is closed when the rangehood is switched off.

When the rangehood is switched on, the non-return flap opens for the cooking vapours to be blown directly outside.

If the on-site ventilation system does not have a non-return flap, the non-return flap supplied must be fitted.

### Recirculation mode

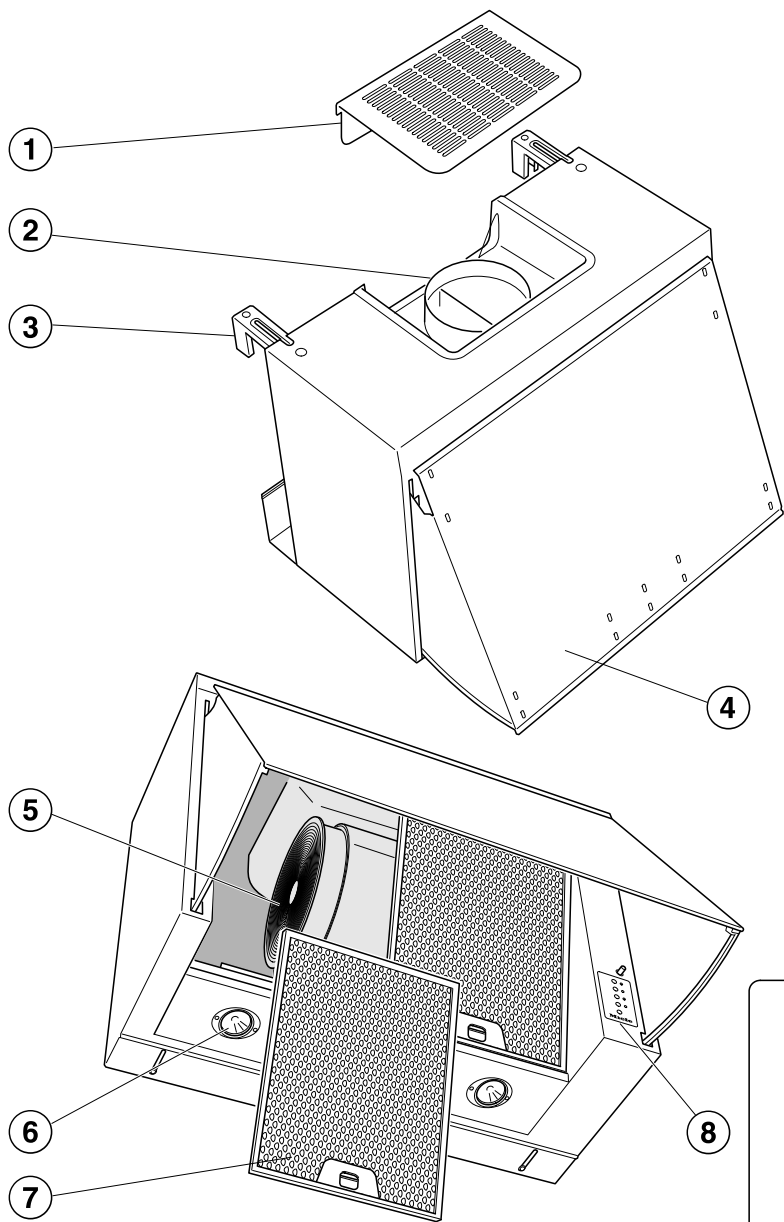
(can only be operated with a charcoal filter, available as an optional accessory: see "Technical Data")



da100494b

The air is drawn in and cleaned first by the grease filters and then by a charcoal filter. The cleaned air is then recirculated back into the kitchen.

# Guide to the appliance



da13791

- ① Recirculation grille
- ② Exhaust connection
- ③ Bracket
- ④ Open-out vapour canopy  
to which a furniture panel is fitted
- ⑤ NoSmell active charcoal filters  
Optional accessory for recirculation mode
- ⑥ Cooktop lighting
- ⑦ Grease filter
- ⑧ Control panel

# Operation

---

## Switching the fan on

- Open the vapour canopy.

The fan will come on at power level **2**.

## Selecting a power level

For light to heavy cooking vapours and odours, select from power settings **1** to **3**.

For short periods of cooking food with intensive vapours and a strong aroma, e.g. when searing meat, select Booster setting **B**.

- Press the appropriate button for the power level you want.

## Reducing power down from the Booster setting

- Press the **B** again to switch the Booster off.

The fan will revert to the previously selected power level.

If you do not switch the Booster setting off, the fan will automatically revert to the previously selected power level after 5 minutes.

## Switching the fan off

It is advisable to run the fan for a few minutes after cooking has finished to neutralise any lingering vapours and odours in the air.

- To switch the fan off, close the vapour canopy or press the **0** button for longer.
- To switch the fan back on with the vapour canopy open, press a button between **1** and **3**.

## Switching the cooktop lighting on/off

- You can switch the cooktop lighting on and off by opening and closing the vapour canopy.

If there is an interruption to the power supply, the fan and the cooktop lighting will switch off automatically. With the vapour canopy open, the fan will switch back on at power level **2** and the cooktop lighting will come back on once the power supply is restored.



This rangehood operates very efficiently and economically. The following will help you to save even more energy when using it:

- Ensure that there is sufficient ventilation in the kitchen when cooking. In extraction mode, if there is insufficient air flow the rangehood cannot operate efficiently and this causes increased operating noise levels.
- Always cook with the lowest possible setting. This produces fewer cooking vapours, so you can use a lower rangehood power level and therefore benefit from reduced energy consumption.
- Check the power level selected on the rangehood. A lower power level is generally sufficient for the majority of cooking. Only use the Booster setting when necessary.
- When a large volume of cooking vapours are being produced, switch to a high power level in good time. This is more efficient than operating the rangehood for longer to try to capture cooking vapours which have already been distributed throughout the kitchen.
- Make sure that you switch the rangehood off after use.
- Clean or change the filters at regular intervals. Heavily soiled filters reduce performance, increase the risk of fire and are unhygienic.

# Cleaning and care

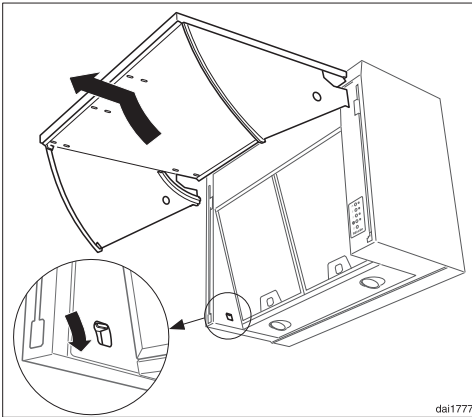
**⚠** Before proceeding with any maintenance or cleaning task, the rangehood must be disconnected from the power supply (see "Warning and Safety instructions").

## Housing

### Removing the canopy

The vapour canopy can be taken off for better accessibility.

- Open the vapour canopy.



- Pull the catch downwards to unlock the vapour canopy and then swing the canopy forwards.
- To refit the canopy, fit it back into the guides at the top and then swing the canopy back down.

## General

The surfaces and controls are susceptible to scratches and abrasion.

Please observe the following cleaning instructions.

- All external surfaces and controls can be cleaned using warm water with a small amount of washing-up liquid applied with a well wrung-out soft sponge or cloth.

Do not use too much water when cleaning the controls.

Water could penetrate into the electronics and cause damage.

- After cleaning, wipe the surfaces dry using a soft cloth.

Do not use:

- cleaning agents containing soda, acids, chlorides or solvents,
- abrasive cleaning agents, e.g. powder cleaners or cream cleaners and abrasive sponges, as well as pot scourers or sponges which have been used previously with abrasive cleaning agents. These will damage the surface material.

## Important for the controls

Do not leave soiling on the controls for any length of time.

Otherwise they may suffer discolouration or damage.


Remove any soiling immediately.

- Observe the general notes on cleaning earlier in this section.

Do not use stainless steel cleaning agents on the controls.

## Grease filters

The re-usable metal grease filters in the appliance remove solid particles (grease, dust, etc.) from the kitchen vapours, preventing soiling of the rangehood.

 An oversaturated filter is a fire hazard.

## Grease filter cleaning intervals

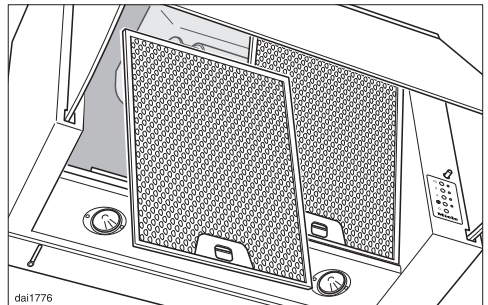
The grease filters should be cleaned regularly (at least every 3-4 weeks) to avoid a build-up of grease.

## Removing a grease filter

When handling a grease filter, be careful not to drop it.

This can result in damage to the filter and the cooktop below.

Make sure you hold the filter securely at all times when handling it.



- Open the latch for the grease filter and lower the filter to remove it.

# Cleaning and care

---

## Cleaning the grease filters by hand

- Clean the filters with a soft nylon brush in a mild solution of hot water and a small amount of washing-up liquid. Do not use undiluted washing up liquid.

## Unsuitable cleaning agents

Unsuitable cleaning agents can cause damage to the surface of the filters if used regularly.

Do not use:

- cleaning agents containing descaling agents,
- powder cleaners or cream cleaners,
- aggressive all-purpose cleaning agents or spray cleaners for grease,
- oven sprays.

## Cleaning the grease filters in the dishwasher

- Place the filters as upright as possible in the lower basket, with the short sides upright, ensuring the spray arm is not obstructed.
- Use a proprietary household dishwasher detergent.
- Select a dishwasher programme with a wash temperature between 50 °C and 65 °C.

Depending on the cleaning agent used, cleaning the filters in a dishwasher can cause permanent discolouration to the surface. However, this will not affect the functioning of the filters in any way.

## After cleaning

- After cleaning, leave the filters to dry on an absorbent surface before refitting them.
- When removing the filters for cleaning, also clean off any residues of oil or fat from the now accessible housing to prevent the risk of these catching fire.
- Refit the grease filters.

## NoSmell active charcoal filters

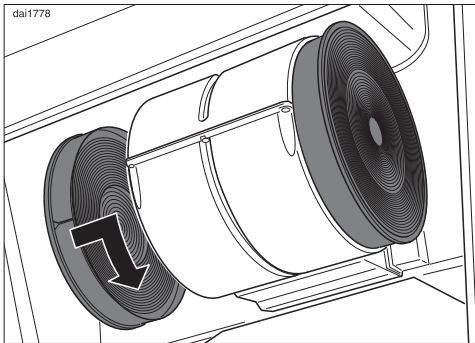
With recirculation mode, two charcoal filters must be fitted in addition to the grease filters. These are designed to absorb cooking odours.

They are fitted either side of the fan.

Replacement charcoal filters can be obtained from Miele or via the internet at [www.miele-shop.com](http://www.miele-shop.com). See the back of these instructions for contact details, and "Technical data" for type and reference number.

## Fitting and replacing the charcoal filters

- Before fitting or replacing a charcoal filter, the vapour canopy must be pulled out and the grease filters must be taken out (see previous section for instructions on how to do this).
- Unwrap the charcoal filters.



- Fit the charcoal filters to the sides of the fan and screw them into their holders.
- Refit the grease filters.

## When to change the NoSmell active charcoal filters

- Always replace the charcoal filters when they no longer absorb kitchen odours effectively. They should, however, be replaced at least every 6 months.

## Disposing of the charcoal filters

- The used charcoal filters can be disposed of with the normal household waste.

# Cleaning and care

---

## Changing a lamp

The halogen lamps become very hot during operation.

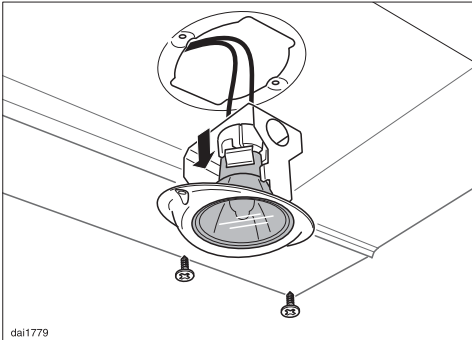
They can cause burns even after being switched off for some time.

Allow the lamps to cool down for a few minutes before changing them.

The lamps should be replaced with lamps of the same type.

These lamps are available from Miele.

- Disconnect the rangehood from the mains electrical supply before replacing the lamps (see "Warning and Safety instructions").



- Unscrew the fixing screws on the decor ring.
- Take the lamp unit out.
- Press the halogen lamp out of the holder from the back. Do not let it fall on the cooktop below.
- Press a new halogen lamp (20 W) into the holder. Replace the lamp unit and then screw the decor ring back on.

## After sales service and warranty

---

In the event of a fault which you cannot remedy yourself, please contact Miele.

The contact details for Miele are given at the back of these instructions.

When contacting Miele, please quote the model and serial number of your appliance.

These can be found on the data plate.

### **Position of the data plate**

The data plate is visible after removing the grease filter.

### **Warranty: AU, NZ**

The manufacturer's warranty for this appliance is 2 years.


For further information, please refer to your warranty booklet.

### **Warranty: Other countries**

For information on the appliance warranty specific to your country please contact Miele. See end of this booklet for contact details.

# Installation

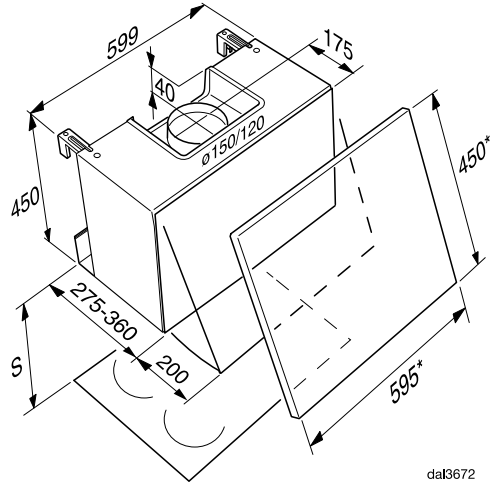
## Before installation

 Before installation, it is important to read the information given on the following pages as well as the "Warning and Safety instructions" at the beginning of this booklet.

## Installation recommendations

- To achieve optimum vapour extraction, the rangehood must cover the cooktop. It should be positioned centrally over the cooktop, not to the side.
- The cooktop should be no wider than the rangehood and, if possible, it should be narrower, especially for safety distances greater than 750 mm.
- The installation area must be easily accessible. The rangehood should be easily accessible and easy to dismantle in the event that service is required. This should be taken into consideration when planning the position of cupboards, shelves, ceilings or features in the vicinity of the rangehood.

## Appliance dimensions



dal3672

\* Furniture front dimensions

Connection for air extraction  $\varnothing$  150 mm, or  $\varnothing$  120 mm with reducing collar.



## Safety distance (S)

The minimum distances between the top of a cooktop (including trivets, dials - depending on model) and the bottom of the rangehood are as follows, unless a greater distance is specified by the manufacturer of your cooking appliance. See also "Warning and Safety instructions".

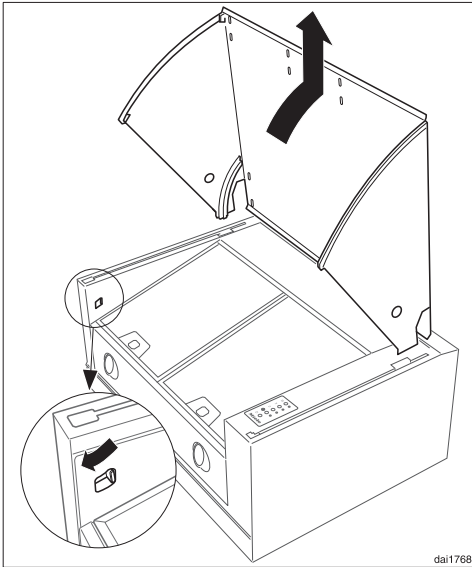
Cooking appliance	Minimum distance S
Electric cooktop	600 mm
Electric grill, deep fat fryer (electric)	650 mm
Multi-burner gas cooktop with a total output $\leq 45.4$ MJ/h, with no burner $> 16.5$ MJ/h.	650 mm
Multi-burner gas cooktop with a total output $> 45.4$ MJ/h and $\leq 77.8$ MJ/h, with no burner $> 17.3$ MJ/h.	760 mm
Multi-burner gas cooktop with a total output $> 77.8$ MJ/h, or with a single burner $> 17.3$ MJ/h.	Not possible
Single burner gas cooktop with an output $\leq 21.6$ MJ/h.	650 mm
Single burner gas cooktop with an output $> 21.6$ MJ/h and $\leq 29.2$ MJ/h.	760 mm
Single burner gas cooktop with an output $> 29.2$ MJ/h.	Not possible

If you are fitting a furniture front made of wood or plastic to the rangehood, observe the safety distances given by the cooktop manufacturer regarding the use of easily flammable materials.

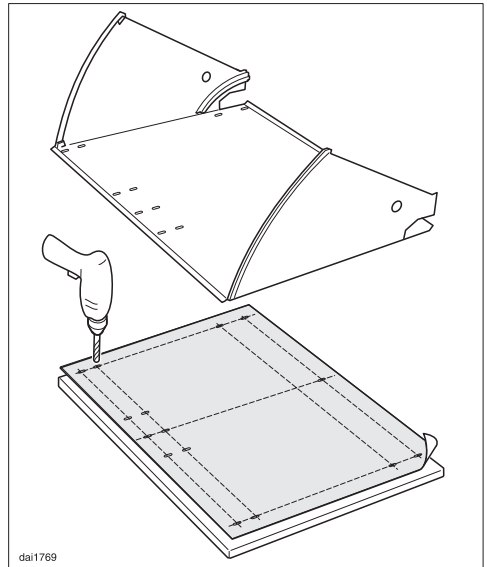
# Installation

## Fitting the furniture front

There are several holes on the appliance's vapour canopy for securing the front panel. A drilling template is supplied for correct positioning.



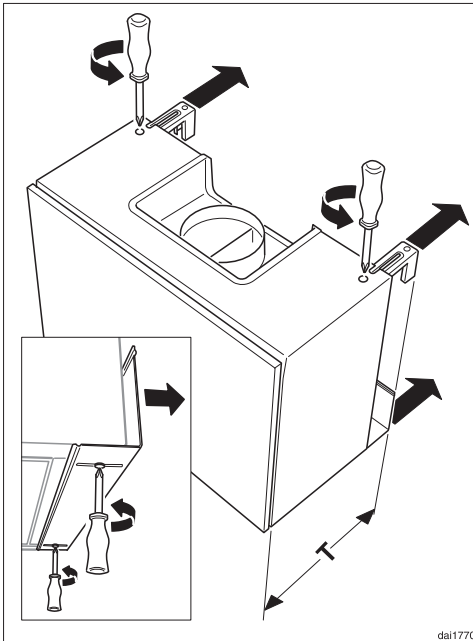
- Open the vapour canopy.
- Pull the catch forwards for releasing the canopy and then swing the canopy upwards.



- Cut the drilling template for the front panel to size and place it on the reverse of the panel. Drill the appropriate holes.
- Then screw the furniture panel to the vapour canopy with suitable screws.

## Depth adjustment

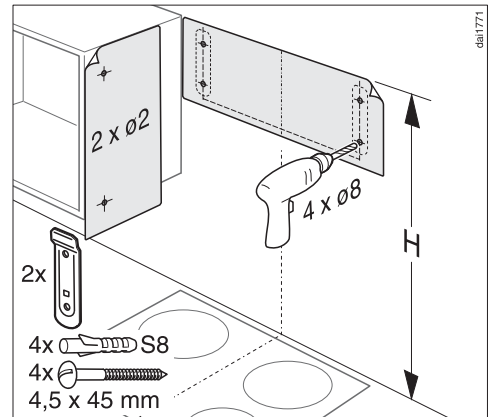
There are two adjustable brackets at the top of the unit and an adjustable trim at the bottom of the unit for setting the unit depth **T** between 275 mm and 360 mm.



- Loosen the screws in the adjustable brackets.
- Extend the brackets to dimension **T**.
- Tighten up the screws.
- Loosen the screws in the adjustable trim.
- Adjust the trim to the required depth.
- Tighten up the screws.
- If the adjustable trim is too short, unscrew it, turn it around and refit it to use the longer side.

## Wall installation

The rangehood is fitted to the wall between two wall units. Screws and plugs are supplied for this.



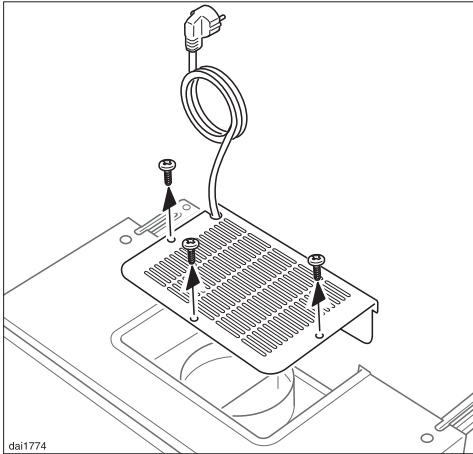
- Cut the drilling template to size and position against the wall. The top edge of the template indicates the top edge of the rangehood. Please refer to the safety distances (S) to the cooktop in "Installation".
- Mark and drill the four holes for the mounting brackets ( $\varnothing$  8 mm).
- Remove the drilling template.
- Secure the fixing brackets to the wall using the plugs and screws supplied.

The screws and plugs are designed for use in solid walls only. For other types of wall construction, alternative fixings will be required. Make sure the wall is able to take the weight of the rangehood.

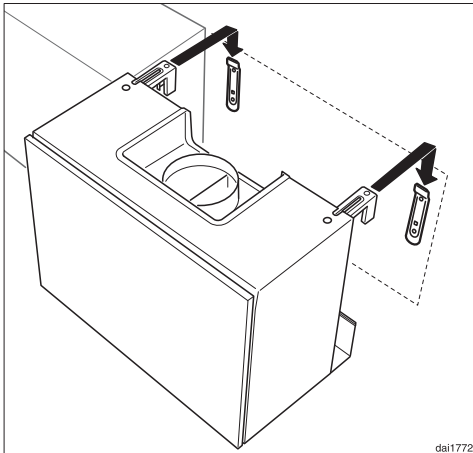
- Attach the corresponding drilling template to the adjacent cabinet or the side panel.

# Installation

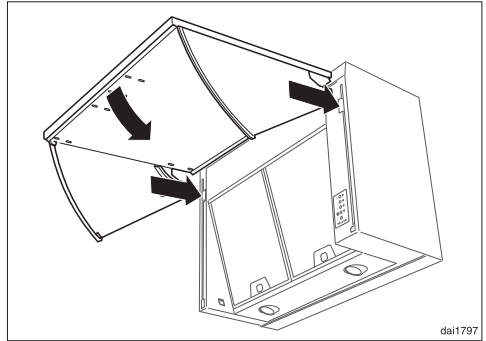
- Drill two holes into the adjacent cabinet or the side panel ( $\varnothing$  2 mm).



- Remove the recirculation grille for extraction mode.

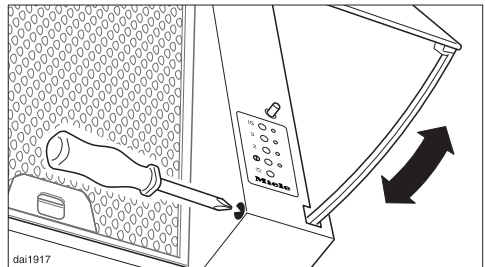


- Hang the rangehood into position using the adjustable brackets.



- Attach the vapour canopy with furniture door fitted and then close it.

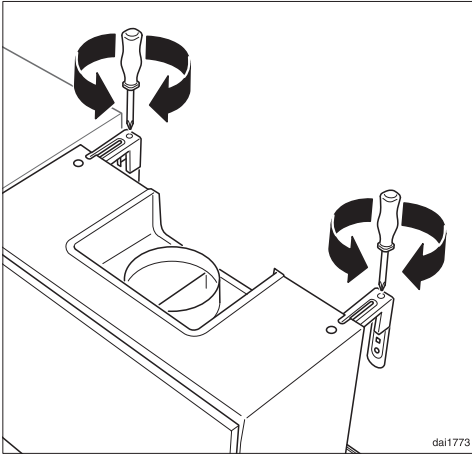
It is possible to adjust the movement of the vapour canopy. This may be required if a heavy furniture door is to be fitted, for example.



- Remove the two cover caps which conceal the adjusting screws at the front right and left on the lower edge of the appliance.
- Adjust the screws evenly on both sides using a Phillips-head screwdriver. Turn clockwise to tighten the mechanism and anti-clockwise to loosen the mechanism.
- Refit the caps.

## Height adjustment

Adjusting screws in the brackets located at the top of the appliance are used for aligning the appliance with adjoining furniture units.

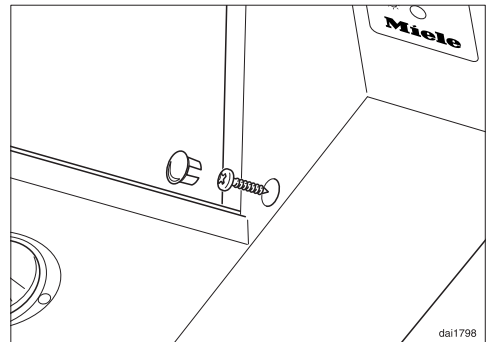


- Turning the screws anti-clockwise raises the appliance and clockwise lowers it.
- You may also have to adjust the depth again.

## Connecting to adjacent furniture units/fitting side panels

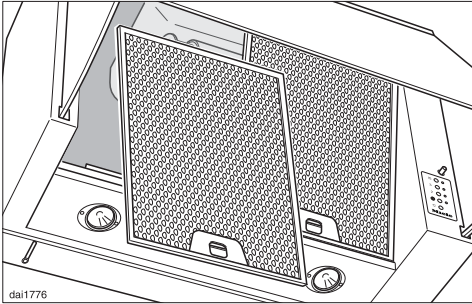
The rangehood is supplied with two screws on each side for securing it to adjacent furniture units or for fitting side panels.

- Remove the vapour canopy.
- Remove the grease filters.
- Turn the top screws in the adjacent furniture units or side panels.



- Remove the cover caps from the lower screws.
- Screw in the lower screws.
- Refit the caps.
- Refit the vapour canopy.

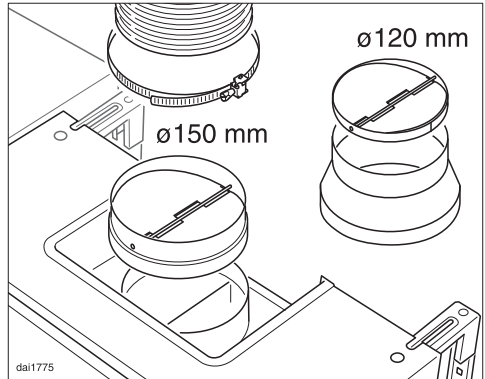
# Installation



- Refit the grease filters.

## For air extraction mode

If your ducting system does not have a non-return flap, two are supplied with the rangehood. One for  $\varnothing$  150 mm and one for  $\varnothing$  120 mm ducting.



- For  $\varnothing$  150 mm ducting, fit the non-return flap into the exhaust connection.  
For  $\varnothing$  120 mm ducting, fit the reducing collar supplied onto the exhaust connection and then fit the appropriate non-return flap onto the reducing collar.
- Secure the exhaust ducting to the exhaust connection, e.g. with a hose clip (available as an optional accessory) on flexible ducting.
- See "Connection for air extraction" for further instructions on fitting the ducting.

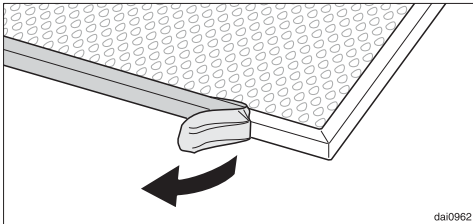
## For recirculation mode

- Fit the charcoal filters (see "Cleaning and care").

## Mains connection

Refer to the notes in "Electrical connection" and "Warning and Safety instructions" before connecting to the electricity supply.

- Plug the connection cable into an electrical socket.



- Take the grease filters out and pull the protective foil off the filter frame. Then refit the grease filters.

## Electrical connection

---

All electrical work must be undertaken by a suitably qualified and competent person in strict accordance with current national and local safety and building code regulations. Installation, repairs and other work by unqualified persons could be dangerous, for which the manufacturer cannot be held liable. Ensure power is not supplied to the appliance until after installation or repair work has been carried out.

The rangehood must be connected to a suitably earthed socket (AC 230 V, 50 Hz).

For extra safety it is advisable to install a residual current device (RCD) with a trip current of 30 mA.

Connection of this appliance must be made via a suitable isolator switch which provides disconnection on all poles and which complies with national and local safety regulations. The isolator switch should be easily accessible after the appliance has been built in.

If the mains socket is not accessible after installation, an additional means of disconnection must be provided for all poles. There must be an all-pole contact gap of 3 mm in the switch (including switch, fuses and relays).

The connection data is given on the data plate (See "After sales service"). Ensure that this data matches the household mains supply.



## Connection for air extraction

**⚠** Before installation, it is important to read the information given on the following pages as well as the "Appliance dimensions" and the "Warning and Safety instructions" at the beginning of this booklet. This is particularly crucial when using the rangehood at the same time as a heating appliance that relies on oxygen from the same room, which could result in the build-up of toxic fumes.

The rangehood should be installed according to local and national building regulations. Seek approval from the building inspector where necessary.

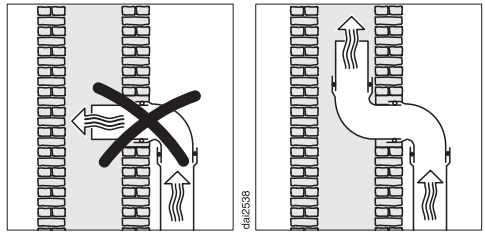
Only use smooth pipes or flexible hoses made from non-flammable materials for the extraction ducting.

To achieve the greatest possible air extraction with the lowest noise level, please note the following:

- The diameter of the exhaust ducting should not be less than 150 mm.
- If flat ducting is being used, the cross-sectional area must not be smaller than the cross-sectional area of the exhaust connection.
- The exhaust ducting should be as short and straight as possible.
- Only use wide radius bends.
- The exhaust ducting must not be kinked or compressed.
- Ensure that all connections are strong and airtight.

Remember that any constriction of the airflow will reduce extraction performance and increase operating noise.

- If the exhaust is ducted through an outside wall, a telescopic wall vent or a roof vent (available as an optional accessory) is recommended.



- If the exhaust air is to be ducted into a vent flue, the ducting must be directed in the flow direction of the flue.
- When ducting is horizontal, it must be laid to slope away at at least 1 cm per metre. This is to ensure that condensate cannot drain back into the rangehood.
- If the exhaust ducting is to run through rooms, ceiling space etc. where there may be great variations in temperature between the different areas, the problem of condensation will need to be addressed. The exhaust ducting will need to be suitably insulated.

## Technical data

---

Fan motor	250 W
Cooktop lighting	2 x 20 W
Total rated load	290 W
Voltage, frequency	AC 230 V, 50 Hz
Fuse rating	10 A
Mains connection cable length	1.2 m
Weight	11.8 kg

Accessory required for recirculation mode:  
2 x charcoal filters DKF 14-1.

**Miele Australia Pty. Ltd.**

ACN 005 635 398  
ABN 96 005 635 398

**Miele Experience Centre and  
Head Office Melbourne:**

1 Gilbert Park Drive  
Knoxfield, VIC 3180

**Miele Experience Centre South Melbourne:**

206-210 Coventry Street  
South Melbourne, VIC 3205

**Miele Experience Centre and Office Sydney:**

3 Skyline Place  
Frenchs Forest, NSW 2086

**Miele Experience Centre and Office Brisbane:**

39 Harvey Street North  
Eagle Farm, QLD 4009

**Miele Experience Centre Gold Coast:**

131 Ferry Road  
Southport, QLD 4215

**Miele Experience Centre and Office Adelaide:**

83-85 Sir Donald Bradman Drive  
Hilton, SA 5033

**Miele Experience Centre and Office Perth:**

205-207 Stirling Highway  
Claremont, WA 6010



[www.miele.com.au](http://www.miele.com.au)



**Miele New Zealand Limited**

IRD 98 463 631

**Head Office:**

Level 2, 10 College Hill  
Freemans Bay, Auckland 1011

**Miele Experience Centre  
Auckland:**

8 College Hill  
Freemans Bay, Auckland 1011  
Telephone:  
0800 464 353 (0800 4 MIELE)  
[www.miele.co.nz](http://www.miele.co.nz)

**Miele Global Headquarters**

**Germany**

**Miele & Cie. KG**

Carl-Miele-Straße 29  
33332 Gütersloh  
Federal Republic of Germany

DA 186



en-AU, NZ

M.-Nr. 10 566 230 / 00