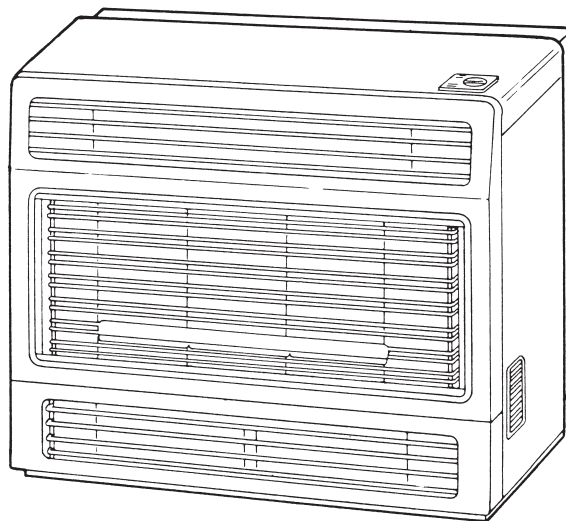


Rinnai

2001

CUSTOMERS OPERATING INFORMATION AND INSTALLATION INSTRUCTIONS



This appliance shall be installed in accordance with:-

Manufacturer's Installation Instructions

Local Gas Fitting Regulations

Municipal Building Codes

A.G.A. Installation Code for Gas Burning Equipment

Any other relevant Statutory Regulation

**This appliance must be installed, serviced and removed by an
Authorised Person.**



**The Australian
Gas Association**

Proudly a member of the AGA
All of our gas products are AGA
tested and approved.

BEFORE INSTALLATION

When fitted in a carpeted room this heater must always be fitted on top of the carpet. The carpet must never be cut to fit around the heater. The heater may be impossible to dismantle for service if the bottom panel is obstructed by carpet.

BEFORE USE

This heater discharges a large volume of warm air at low level to provide even heat distribution. If the air in the room contains cooking vapour or cigarette smoke, and the heater is used on a carpet, the surface of the carpet may become discoloured. In addition, some types of carpet contain dyes that may be affected by the warm air flow.

Some vinyl surfaces are also subject to distortion discolouration by warm air. To prevent discolouration of carpets etc., a mat should be placed in front of the appliance, extending about 750mm in front of it.

CONTENTS

Features	2
CUSTOMERS OPERATING INFORMATION	3
Care of your Rinnai 2001	6
Important Points	7
Guarantee Information	8
Safety Devices	9
Pre-Service check list and fault finding	10
Installation Instructions General	11
Installation Instructions Inbuilt into Fireplace	12
Installation Instructions Console into Twin Skin	15
Installation Instructions Console into Masonry Fireplace	17
Installation Instructions for Inbuilt into a Timber Frame Opening	18
Testing	19
Wiring Diagram	20
Specifications	Back page
Service Contact Points	Back page

SERVICE

Rinnai Australia has a service and spare parts network in all states. Our service network personnel are fully trained and equipped to give the best service on your Rinnai appliance. If your appliance needs service, please ring one of the service contact numbers on the back of this booklet.

Rinnai recommend that this appliance be serviced every 2 years.

FEATURES

1. The Rinnai 2001 incorporates radiant heating and a downflow convection system with large capacity fan, to ensure effective heating to all parts of the room, and reduced stratification.
2. Full thermostat control gives the optimum combination of comfort and efficiency.
3. 30 MJ/h input, large enough to suit most domestic applications.
4. Electronic ignition means no need for matches.
5. Thermocouple flame failure system, if the flame should be extinguished, the flame failure system cuts the gas off.
6. Automatic fan switch to turn the fan on and off and match the 2 speed fan to the input at all times, increasing efficiency and comfort.
7. Filters to protect the burner from dust and lint.
8. 6 large radiants to provide an effective radiant glow.
9. Overheat switch to protect the heater should it become too hot.

INSTALLATION

This heater must be installed by an authorised person, the installation must conform to local regulations.

The installation must also comply with the instructions supplied by Rinnai.

Service and removal must be carried out by an authorised person.

APPROVAL

Your Rinnai 2001 has been approved by the Australian Gas and Electrical Authorities.

A.G.A. Approval Number 4277.

No parts or functions should be modified or permanently removed from the unit.

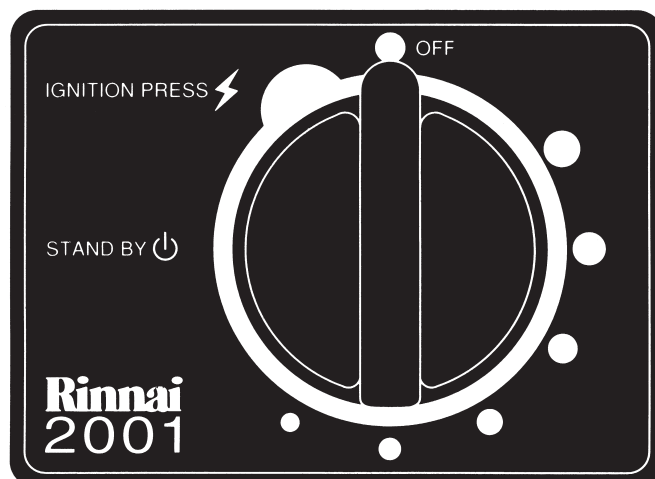
Please keep these instructions in a safe place for future reference.

CUSTOMERS OPERATING INFORMATION

For trouble free operation, please read the following information carefully:-

For your convenience, the control of your new Rinnai 2001 is situated on the top of the heater on the right hand side.

All necessary adjustments to the operation of the Rinnai 2001 can be made with this control.



■ IGNITION

Turn control Knob to "IGNITION PRESS". Press the knob firmly, and hold down for about 15 seconds, the electronic ignition system will ignite the pilot, and the spark will continue while the knob is held down.

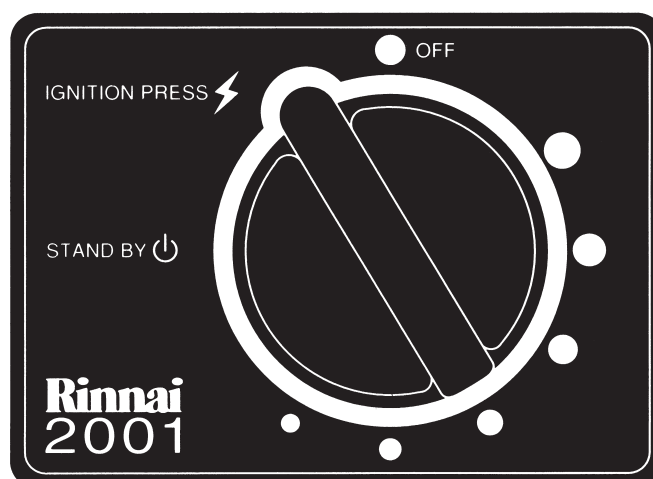
Release the knob.

The pilot should remain alight, it can be seen under the first radiant from the right hand side.

If the pilot does not remain alight, wait 2 minutes for the safety lock to release, then repeat the ignition procedure.

Ignition may take longer if the unit has not been used for a long period.

(For example at the beginning of Winter).



CUSTOMERS OPERATING INFORMATION

■ To Ignite Main Burner

Turn the control knob anticlockwise to the desired setting.

The main burner will ignite.

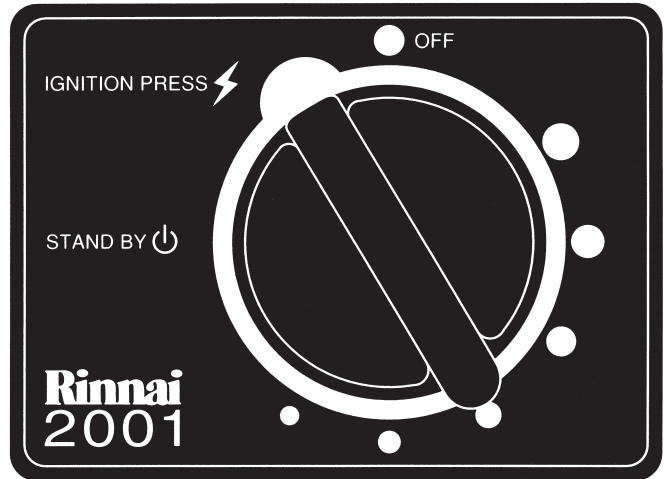
As the unit is thermostatically controlled, the burner will ignite at different settings, depending on the temperature.

On warm days the burner may not ignite at all at the "usual" setting, this is normal, simply turn the knob further and the burner will ignite.

The fan will start automatically when the heat exchanger has warmed up, this helps to prevent cold draughts.

The heater will maintain the selected temperature by modulating the main burner. It is normal for the flame size to change or even go out during operation.

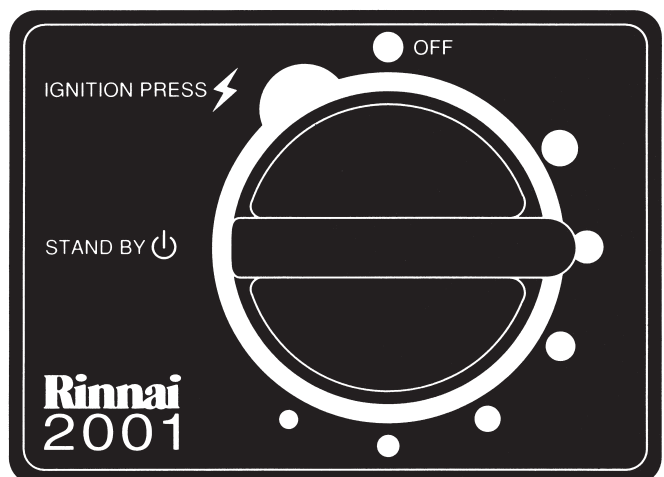
The heater will automatically change the fan speed to match the gas input, this gives the best combination of efficiency and comfort.



■ To Increase Room Temperature

Turn the control knob anticlockwise.

The dots indicate the "normal" room temperature range, but are only a guide and you may prefer temperatures above or below this setting range.



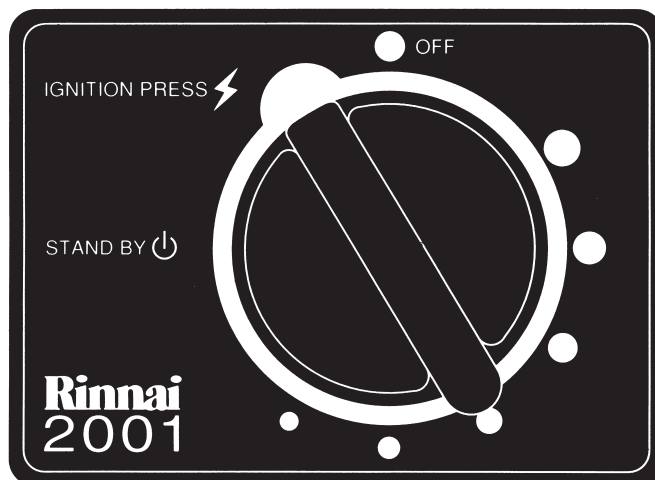
CUSTOMERS OPERATING INFORMATION

■To Decrease Room Temperature

Turn the knob clockwise, the flame size will reduce.

If the room is warm, the burner may go out (and the fan may stop), until the room has cooled to the selected temperature.

In this case, the heater will re-light automatically when the selected temperature is reached.

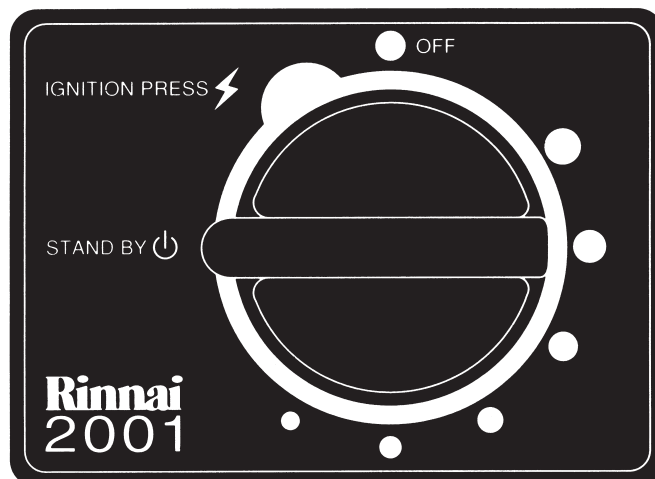


■To Turn Main Burner Off (Pilot left on)

Turn the knob to the "STAND BY" position.

This position can be used if you are turning the heater on and off frequently and leaves the heater at a "standby" setting ready to ignite the main burner.

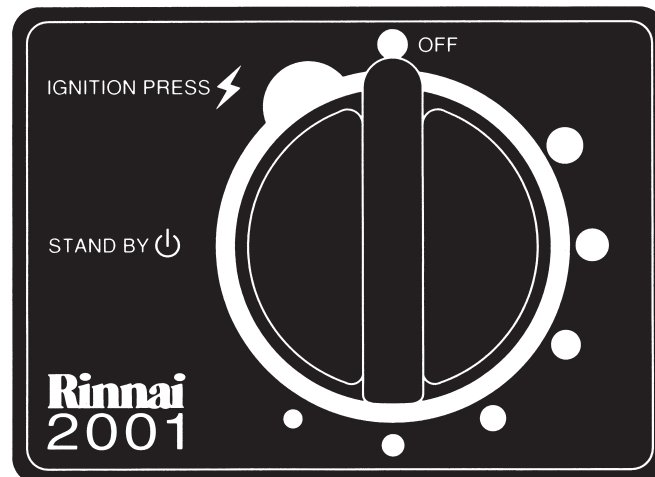
THE FAN WILL CONTINUE TO RUN UNTIL THE HEAT EXCHANGER IS COOL, THIS IS AN ENERGY SAVING FEATURE.



■To Turn Heater Off Completely (Both Pilot and Main Burner)

Return the knob to the "OFF" position. Both the main burner and pilot will be extinguished. This position can be used when the heater is turned off for a longer period.

Turning the heater off completely will also save energy.



CARE OF YOUR RINNAI 2001

Your Rinnai 2001 needs very little maintenance, but the following will help you keep it looking good and working efficiently.

■ Burner Filters

To protect the burner from lint and dust the Rinnai 2001 is fitted with 2 burner filters.

They are located on the bottom section of the reflector.

To clean the filters, first turn the heater off and let it cool, then simply remove the dust with a vacuum cleaner.

Weekly cleaning is recommended during the heating season.

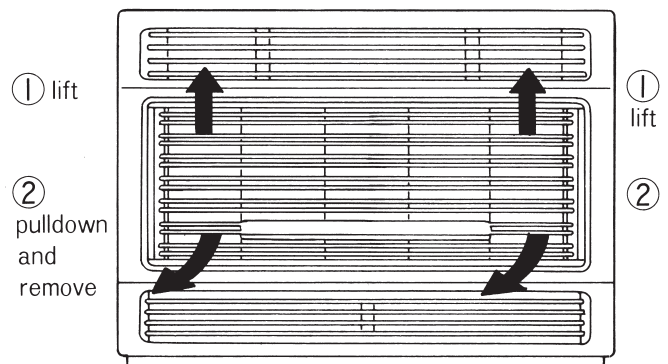
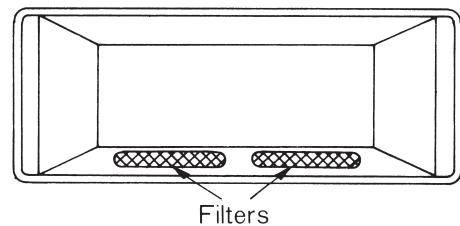
It may be necessary to remove the dress guard to clean the filters, in this case simply lift the dress guard at the bottom, disengage it from its location holes then pull down and away from the heater.

REPLACE BEFORE USING THE HEATER.

There is a small plastic filter on the lower right hand side panel, this filter supplies air to the temperature sensor, it should also be cleaned weekly during the heating season.

■ Outer Case

The outer case of the heater should be cleaned with a soft, damp cloth.
DO NOT USE SOLVENTS.



Do not use aerosol polishes to clean casing whilst heater is in use.

Do not place articles on or against this appliance.

Do not use or store flammable materials near this appliance.

Do not spray aerosols in the vicinity of this appliance whilst it is in operation.

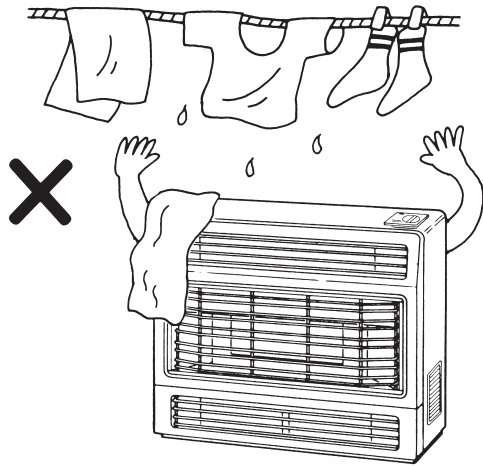
Do not clean plastic parts with solvents, use a soft, damp cloth.

The guard on this appliance conforms to A.G.A. requirements. It is designed to prevent the risk of fire or injury from burns, and no part of it should be permanently removed.

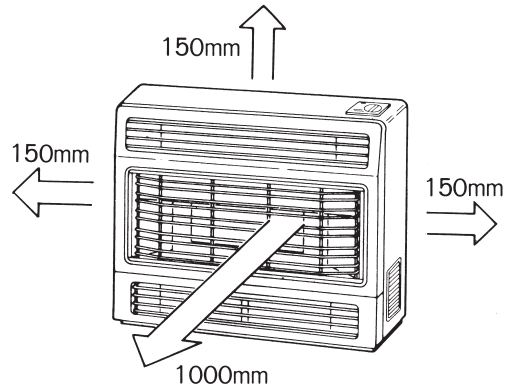
IT DOES NOT GIVE FULL PROTECTION TO YOUNG CHILDREN OR THE INFIRM.

IMPORTANT POINTS

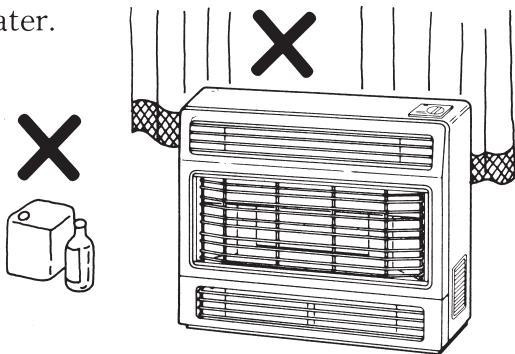
Do not use for any purpose other than heating.



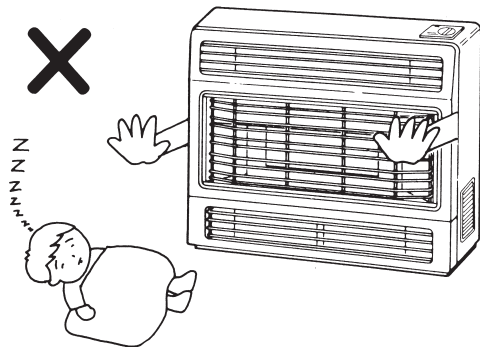
These clearances should be maintained at all times.



Do not allow curtains or other flammable materials to come into contact with the heater.



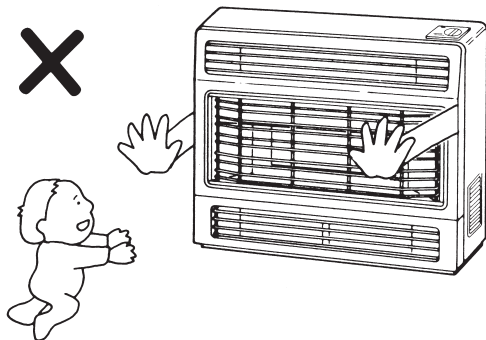
Do not allow young children or the infirm to sleep directly in front of the heater.



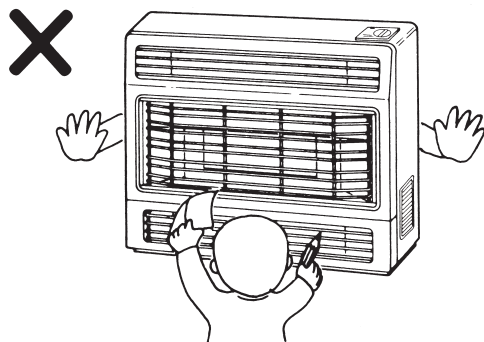
Do not store flammable products near the heater. Combustible materials must not be placed where the heater could ignite them.



Supervise children near heater.

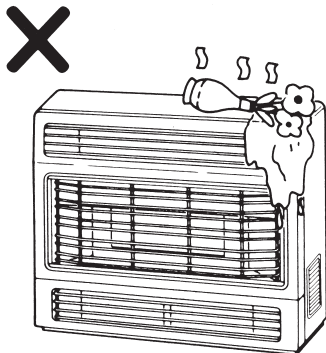


Don't allow children to "post" articles in the louvres.



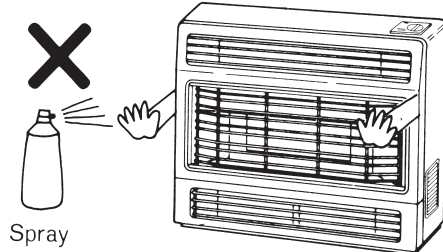
IMPORTANT POINTS

Do not place any articles containing liquid on top of the heater.



Most aerosols contain botane gas. Butane is highly flammable, and is heavier than air.

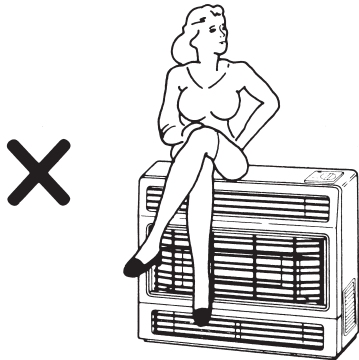
Do not spray any aerosol product on or near this heater when it is in operation.



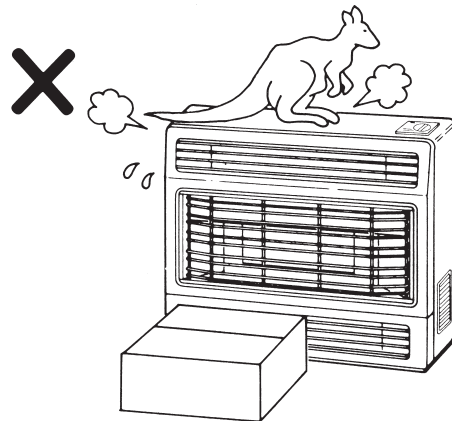
The pilot could also ignite the gas from an aerosol.

Turn pilot off before using aerosols near this appliance.

Do not sit on this heater.



Do not place articles on or against the heater.



RINNAI GUARANTEE OF QUALITY

As a purchaser of a high quality Rinnai product we provide you with the following guarantee on your new Rinnai 2001.

	<u>Free Labour</u>	<u>Free Parts</u>
Heat Exchanger	1 year	10 years pro rata*
Fan	1 year	2 years
All other parts	1 year	1 year

* Heat exchanger: Full replacement parts cost in the first year, reducing 10% per year thereafter.

The benefits conferred by this guarantee are in addition to all other rights and remedies in respect of the product which you have under the Trades Practices Act and other State and Territory laws.

This guarantee does not cover cleaning and normal wear and tear, calls of this nature may be chargeable.

GUARANTEE INFORMATION

Please record below:-

Your Retailer:

Phone:

Address:

Date of Purchase:

Your Installer:

Phone:

Address:

Date of Installation:

Licence Number:

The installer is responsible for your heater's correct installation.

There is no need to post this guarantee back to Rinnai. Simply keep it in a safe place as your record.

SAFETY DEVICES

■ Overheat Switch:

This device automatically cuts off the gas if the heater exceeds a pre-determined temperature. This could be caused by an obstruction in front of the louvres, faulty fan, or a power cut.

If this device operates, turn the unit off, remove obstruction let the unit cool before re-operating. If the cause is a power cut, let the unit cool, then relight when the power is restored.

■ Flame Failure Device

If the flame goes out during operation, the flame failure device cuts the gas off. To restore the gas supply, turn the heater off, wait 2 minutes, then follow the ignition instructions.

■ Automatic Fan Delay Switch

Turns the fan on automatically when the heat exchanger warms up, and off when it cools down, this helps to prevent cold draughts and adds to the unit's efficiency.

SERVICE CHECK LIST AND FAULT FINDING

Please check this fault finding chart before asking for a service call you may be able to overcome the problem without a service call, or the unit may be operating normally. Service calls to a unit which is operating normally may be chargeable, even when the unit is under guarantee.

If you are unsure about the way the unit is operating, contact Rinnai or your agent.

Problem Cause		No ignition spark	Pilot does not light	Main burner does not light	Combustion stops during operation	Smell of gas	Noisy Ignition	Takes too long to heat room	Fan keeps running when heater is turned off. Fan does not start immediately, fan speed changes.	Flame size changes	Unusual combustion	Burner does not light at the "Usual" setting	Remedy
Not plugged in		●	●		●								Plug in
Power cut		●	●		●								Re-ignite when power is restored
(Initial Installation) Air in pipe			●										Clear air (Installer)
Gas filter blocked								●			●		Service call
Mis-ignition		●	●	●									Check customers instructions
Louvre obstructed					●			●					Clear obstruction
Burner filter blocked											●		Clean with vacuum cleaner
Gas escape						●							Service call
Auto fan-switch operating									●				Normal operation
Room too large								●					Check with retailer
Small plastic filter on right hand side blocked.								●					Clean with vacuum cleaner
Thermostat operating										●			Normal operation
Outside or inside temperature may be higher than usual												●	Normal operation
Blocked pilot			●				●						Service call
Gas turned off at meter			●	●									Turn gas on

INSTALLATION INSTRUCTIONS

Specifications: See back cover.

Console Installation: Follow unpacking and general information, then go to page 15, 17 or 18.

■ UNPACKING

- * Undo straps, lift carton off heater.
- * Never lift heater out of carton by top louvres.
- * Check for damage. If the heater is damaged contact your supplier or Rinnai for advice- BEFORE INSTALLATION.
- * Check heater supplied is correct for the gas type in your area.
- * Refer to local gas authority for confirmation of gas type if in doubt.
- * Data plate is inside heater on left hand side.

INCLUDED IN CARTON

Instructions

Foam sealing strip (Inbuilt only)

Back spacer and screws with wall brackets (Console only)

Radiants (2 packs of 3). Log effect version has logset in separate carton.

BEFORE INSTALLATION remove and discard triangular packing brackets from rear of top front casing. (Inbuilt only)
See inside front cover.

INSTALLATION - GENERAL

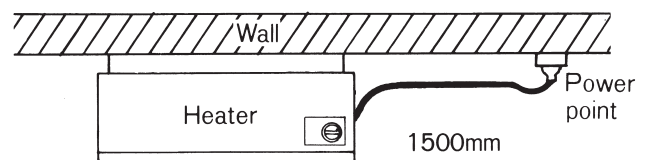
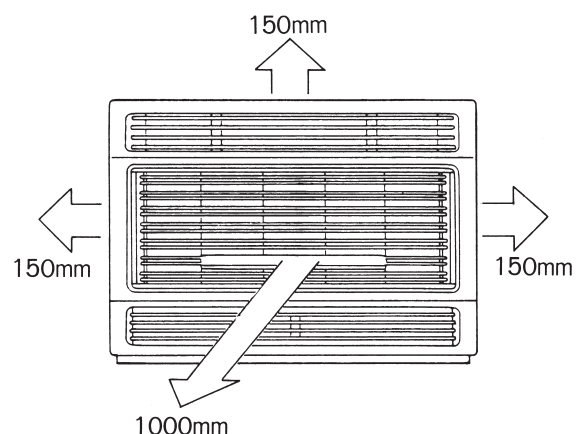
This heater must not be installed where curtains or other combustible materials could come into contact with it. In some cases curtains may need restraining.

Other clearances are shown in the diagram.

CONSOLE UNITS ARE NOT DESIGNED TO BE BUILT INTO BOOKCASES OR SHELVES.

Check that room ventilation complies with local regulations.

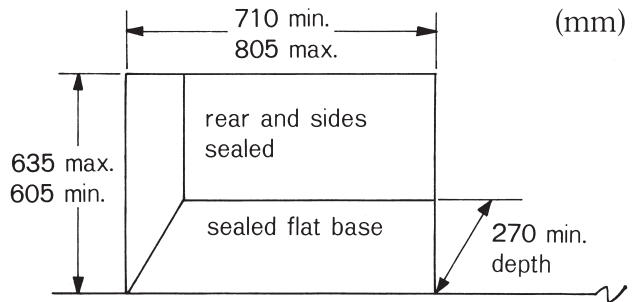
Check that an EARTHED power point is within 1500mm of the right hand side of the unit.



INSTALLATION OF INBUILT INTO A FIREPLACE

■ Check Dimensions of Fireplace

Check dimensions of fireplace and if necessary bring them to dimensions shown.



■ Check Flueway

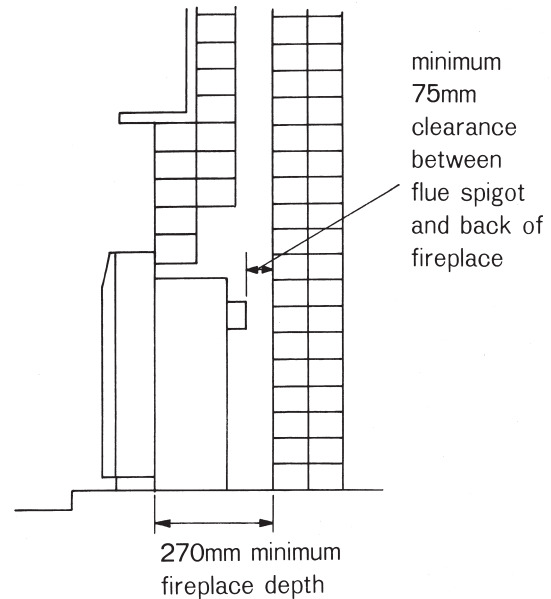
Check flueway is clear of obstructions.

Remove any protruding brickwork to give 75mm minimum clearance from flue spigot.

PROVIDE A FIRM, FLAT, SEALED BASE FOR UNIT.

SEALED MEANS NO HOLES OR OPENINGS IN FIREPLACE.

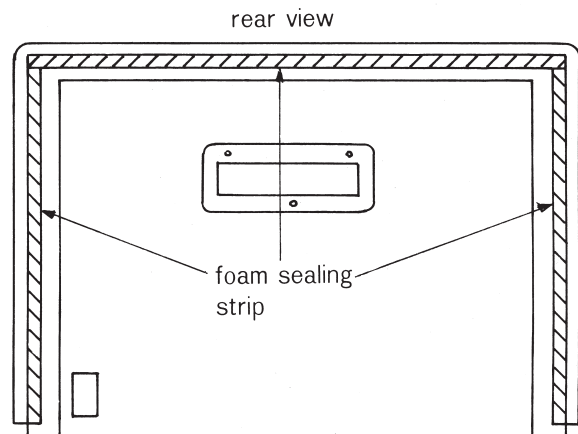
A ROUGH BASE MAY AFFECT THE PERFORMANCE OF THIS UNIT.



INBUILT ONLY

Peel protective backing off the foam strips supplied with the heater. Attach strips to rear of casing as shown.

The strip is intended to form a seal between the heater and fireplace, if an adequate seal cannot be formed with this strip another means of sealing must be used (e.g. fibreglass batts), between the fireplace and the heater body.

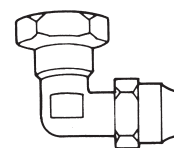


■ Inlet Union

For ease of connection a combined inlet union/copper elbow is provided with every heater.

It is situated at the bottom right hand side below the control.

Union connection to heater



Copper connection
15mm copper.

INSTALLATION OF INBUILT INTO FIREPLACE

■ Remove Inlet Union from unit.

The inlet union/elbow should be fitted to the end of the copper supply tube before installing the heater in the fireplace opening.

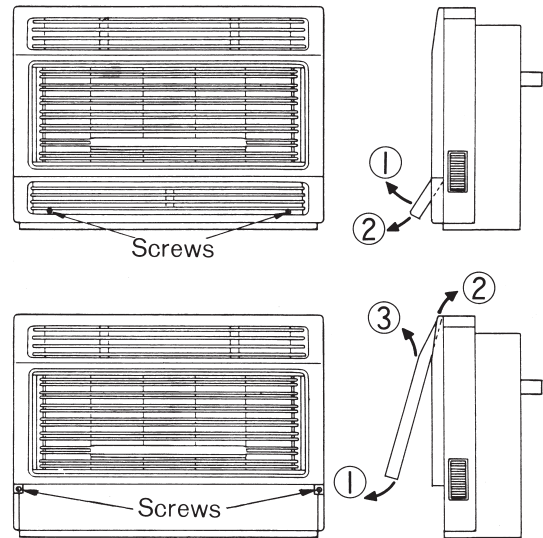
For access to union:

Remove bottom louvre panel, 2 screws in the lower right and left hand corners of louvres.

Remove upper front panel, 2 screws at the bottom right and left hand edges of the panel. Lift panel to disengage top and remove from heater.

Don't lift the panel by the dress guard or top louvres.

REMOVE UNION.



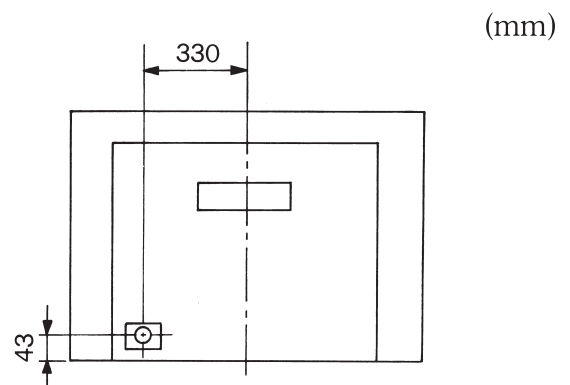
ENSURE THAT REMOVAL AND REPLACEMENT OF THE BOTTOM PANEL IS NOT OBSTRUCTED BY CARPET ETC.

■ Gas Connection Position

Drawing is viewed from rear of heater. Actual connection is on Right Hand Side from front.

Dimensions are to the centre of the flare fitting on the inlet elbow/union.

FLARE FITTING SUITS 15mm COPPER.



■ Run Gas Supply

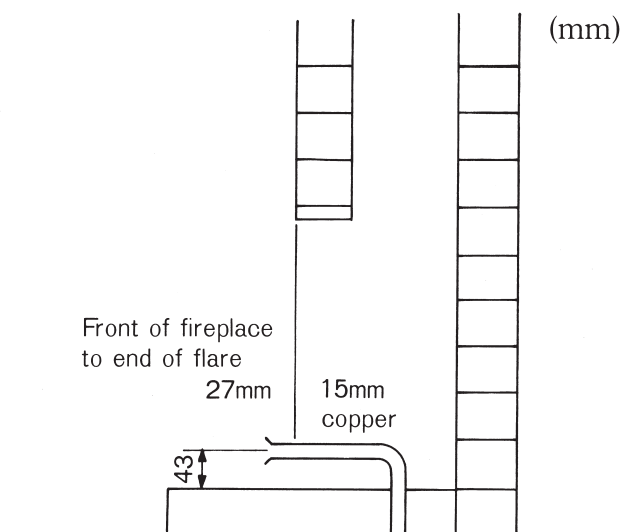
Refer to A.G.A. Pipe sizing chart if in doubt about size of gas line.

Copper supply should be run leaving a flared connection the position shown.

Connect the union/elbow fitting to the copper supply with the union nut facing upwards.

PURGE SUPPLY OF AIR AND SWARF

All foreign materials such as filings must be purged from the gas supply, as they could cause the gas valve to malfunction.



DON'T FORGET TO PUT FLARE NUT ON TUBE BEFORE FLARING.

INSTALLATION OF INBUILT INTO FIREPLACE

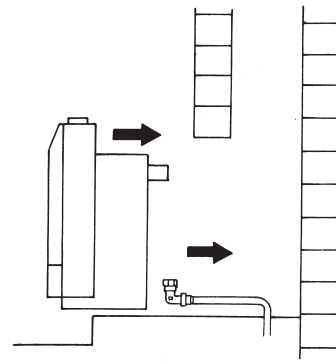
SLIDE HEATER INTO FIREPLACE

Feed the copper tube through the supply access opening.

Connect and tighten union.

Secure heater to fireplace, there are pre-drilled holes in the heater flanges.

Drill additional holes if the existing ones are not in suitable positions.



VERSION WITH RADIANTS

Install radiants

Remove glass panel, install radiants as shown.

Replace glass panel.

front holding Rod



locating channel

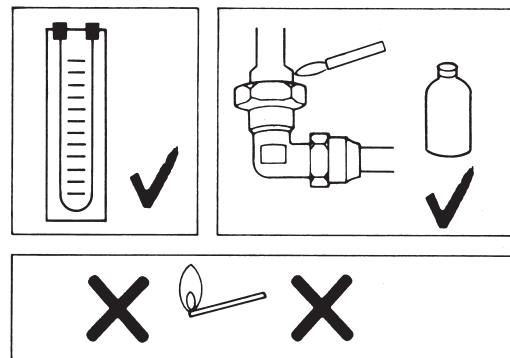
LOG EFFECT VERSION

Follow instructions packed with logset.

CHECK FOR ESCAPES

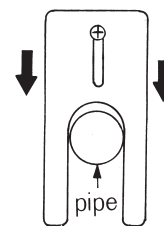
Use a manometer or soapy water.

DON'T USE A NAKED FLAME.



CLOSE GAS SUPPLY COVER

This seals the heater from the chimney and prevents chimney draughts affecting the performance of the heater, as well as preventing the entry of debris from the chimney.



Slide cover over pipe and lock

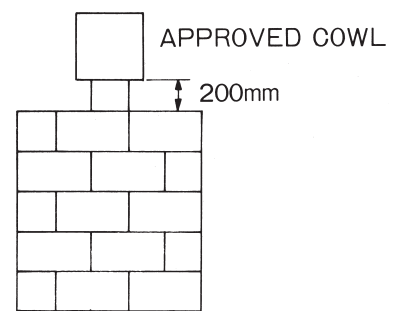
TEST OPERATION

See page 19.

COWL

An approved cowl must be installed on all chimneys.

Size: 100mm.

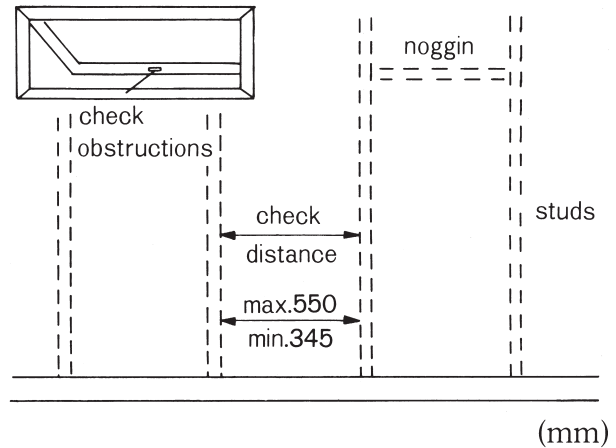


INSTALLATION OF CONSOLE INTO TWIN SKIN FLUE

Instructions for installation into a 75mm cavity wall using twin skin flue.

Select position for heater and locate studs, there must be a minimum distance of 345mm and a maximum of 550mm between studs.

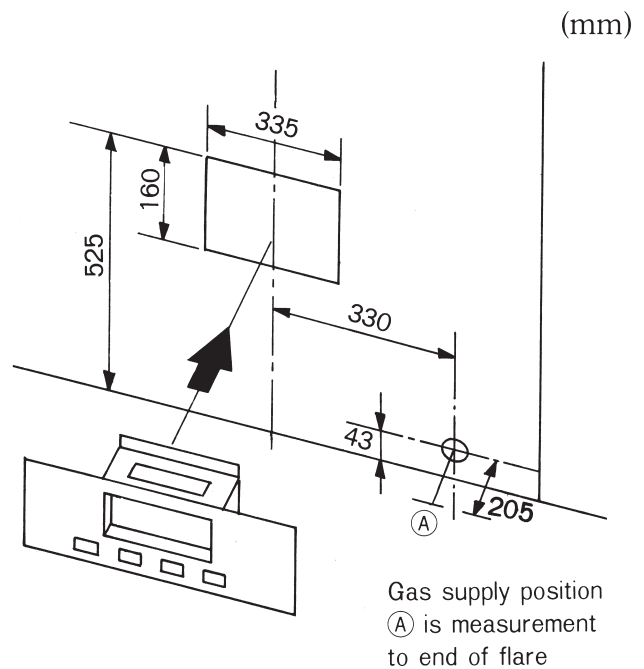
Check to make sure ceiling and roof structure will not obstruct flue.



CUT OPENING IN WALL

Wall box measures 330mm × 100mm, but opening required is 335mm × 160mm. This is to allow for ventilation around the wall box.

Failure to cut the correct sized hole may lead to excessively high wall temperatures.



GAS SUPPLY POSITION

The gas supply should be run before installing the heater.

The easiest way is to run the supply, leaving the end of the copper flare as shown in the diagram, then attach the elbow/union to the copper supply.

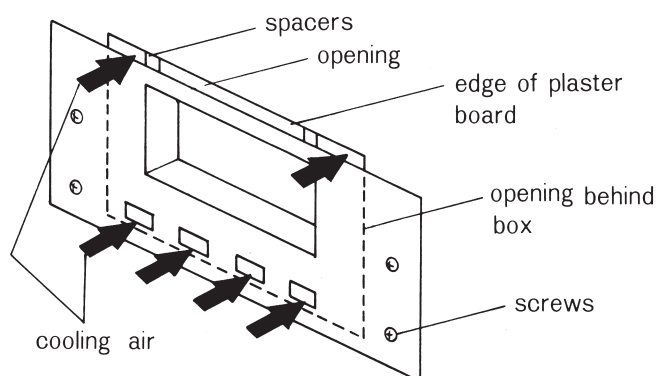
Refer to A.G.A. pipe sizing chart if in doubt about size of supply pipe.

CUT AWAY TOP PLATE AND ANY NOGGINS BETWEEN STUDS

FIT HOUSING INTO PREPARED OPENING

Tabs should be fitted tightly against the plaster board. Drill through flanges at stud centres and fix to wall with 4 screws. The housing must be secured to the studs so as to allow the outlet to protrude back into the cavity, giving the twin skin flue a minimum clearance from the plaster board of 10mm, excluding spacers.

Housing fitted to opening



INSTALLATION OF CONSOLE INTO TWIN SKIN FLUE

LOWER TWIN SKIN FLUE DOWN CAVITY.

Straighten tabs at bottom of twin skin flue assembly and lower down wall cavity to housing. Insert tabs in slots in housing then bend tabs to secure flue to housing.

INSTALL FLUE SUPPORT

Drop top plate flue support over top of flue, position centrally in space between studs and secure support in position.

FIT SEALING PLATE

If flue protrudes more than 65mm above top plate, adaptor supports must be screwed to the flue, and positioned so that when the sealing plate is fitted it is 50mm from the top of the flue.

FIT RECTANGULAR TO ROUND ADAPTER

Fit adapter to top of twin skin.

Fit 100mm flue and approved cowl.

MINIMUM DISTANCE FROM COWL TO NEAREST PART OF ROOF IS 610mm.

POSITION ELBOW INTO HOUSING.

Locate the longer end inside the aluminium liner of twin skin.

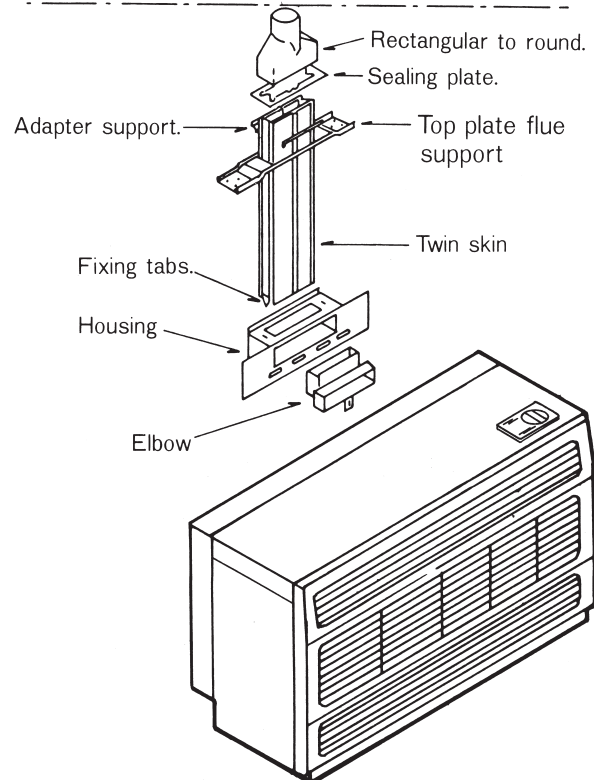
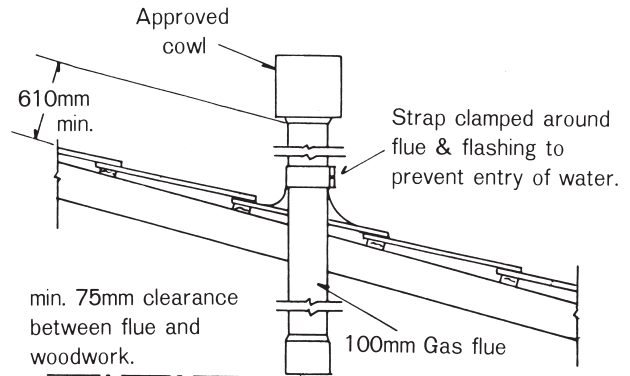
Attach loosely to housing with screw provided.

Measure distance from floor to flue outlet.

Adjust elbow to these dimensions, tighten screw.

Fit right and left hand rear spacers to Heater.

Place top spacer in position temporarily for wall marking.



■ REMOVE FRONT COVER AND INLET UNION.

ATTACH ELBOW/UNION TO GAS SUPPLY, POSITION HEATER

Mark position of top of spacer on wall.

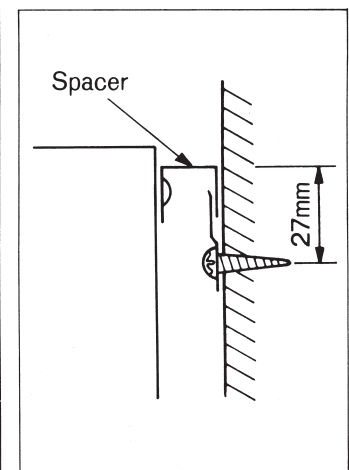
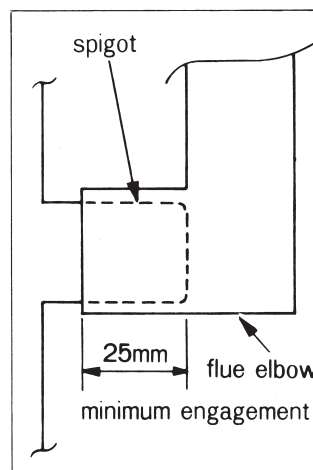
Remove Heater and fit wall clips.

Install Heater, ensure spigot is correctly engaged into elbow.

Replace top spacer, clipping the spacer into the wall brackets at the same time as attaching it to the heater.

Secure top spacer with the two screws provided.

THE HEATER IS NOW SECURED TO THE WALL.



CONNECT GAS and CHECK FOR ESCAPES: See page 13 & 14. INSTALL RADIANTS: See page 14. TEST UNIT and INSTRUCT CUSTOMER: See page 19.

INSTALLATION INTO A MASONRY FIREPLACE

CLOSE OFF FIREPLACE WITH FIREPROOF MATERIAL.

DO NOT INSTALL UNDER A LOW WOODEN SHELF.

Brick Flues shall be completely sealed from cavities and shall be free from mortar droppings or any other debris.

In this type of installation the spigot must have an extension added which is to extend beyond overhead brickwork. The extension shall be constructed so that it prevents falling debris entering the flue spigot.

The spigot extension shall not be extended so far into the chimney so as to cause any obstruction to the discharge of flue gas.

Minimum clearance from end of spigot extension to any obstruction 75mm.

REMOVE DAMPER PLATE/BAFFLE

Any damper plate or baffle which has been installed in the chimney shall be removed.

Fit flue cowl.

An approved cowl shall be fitted to the chimney, with a minimum clearance of 200mm between top of chimney and the lowest opening in the flue cowl.

PREPARATION OF FIREPLACE

Provide a firm, flat base for unit, fireplace must be sealed, no holes or openings. Seal all openings in back, base or sides of fireplace.

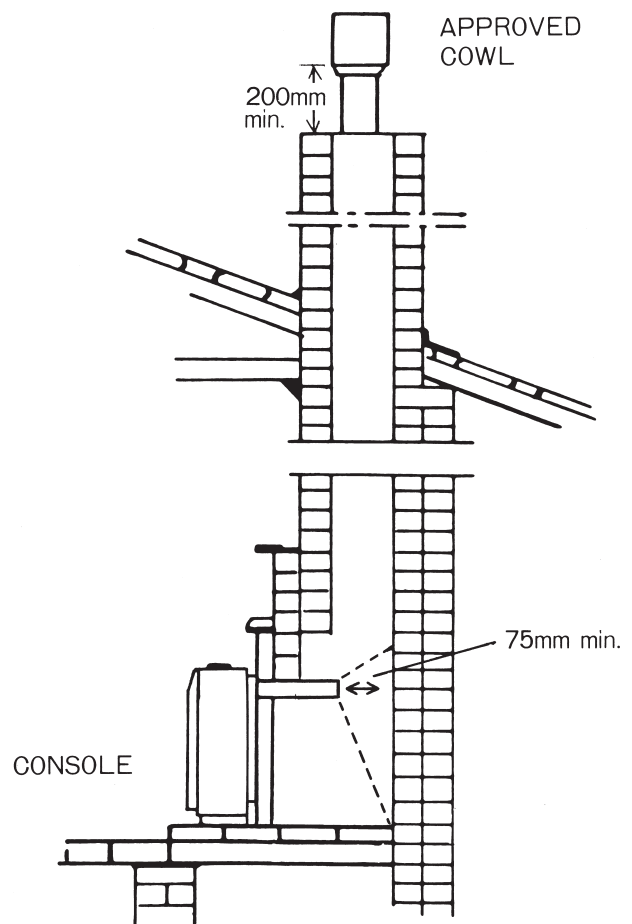
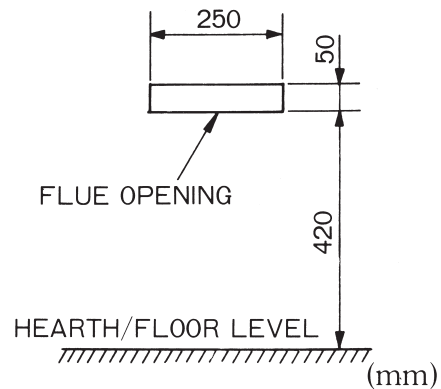
A rough base or unsealed fireplace may affect the performance of this heater.

FIT BACK SPACER AND WALL CLIPS:
See page 16.

CONNECT GAS and CHECK FOR ESCAPES: See page 13 & 14.

TEST UNIT and INSTRUCT CUSTOMER: See page 19.

FIREPROOF MATERIAL
TO FILL IN FIREPLACE



INSTALLATION USING TWIN SKIN FLUE FOR TIMBER FRAME OPENINGS

This installation method uses an inbuilt appliance connected to a twin skin flue system.

Dimensions of opening should be as shown in diagram on page 12.

Install twin skin flue and run gas supply as described on page 15 & 16.

Inbuilt units do not have a rear spacer. After installing twin skin flue, continue installation following instructions for inbuilt units, starting on page 13.

Clearance must be provided around flue spigot. Flammable materials must be kept at least 100mm clear of the flue spigot.

TESTING-APPLIES TO ALL INSTALLATIONS CONSOLE AND INBUILT

■ TESTING PROCEDURE

After purging and clearing supply, connecting gas and testing for escapes, plug the unit into the power point (Caution - 240V inside unit).

Light the burner (See Customers Instructions Page 3).

Check the appearance of the flame and check that the controls operate correctly.

There should be no flame lift or yellow flames.

■ CHECK BURNER PRESSURE

Turn unit off. Remove test point screw, situated on the right hand side of the gas valve, attach manometer to test point, turn unit on again, turn the thermostat up to its highest setting. Check pressure.

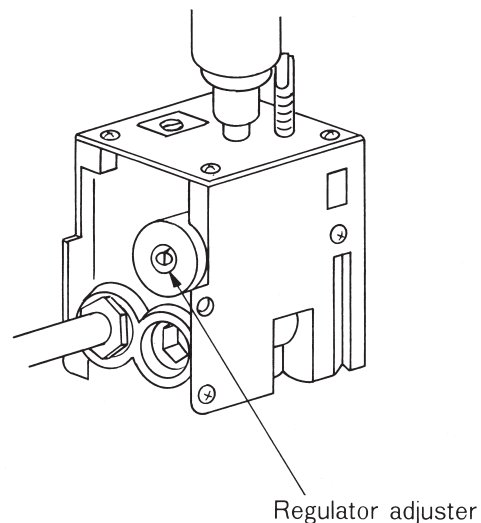
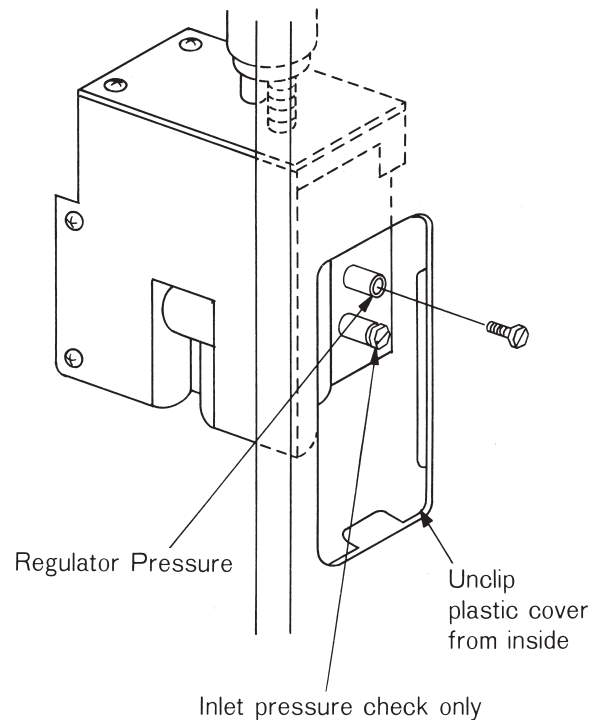
The regulator has been factory pre-set, before making any adjustments to the appliance regulator, check the supply pressure.

If adjustments are necessary, the regulator adjusting screw is situated on the left hand side of the gas valve.

After checking the pressure, turn the unit off, remove the manometer, and replace the test point screw.

Turn the heater on and off a few times to check the ignition and operation.

When you are satisfied the heater is working correctly, re-assemble front panels.



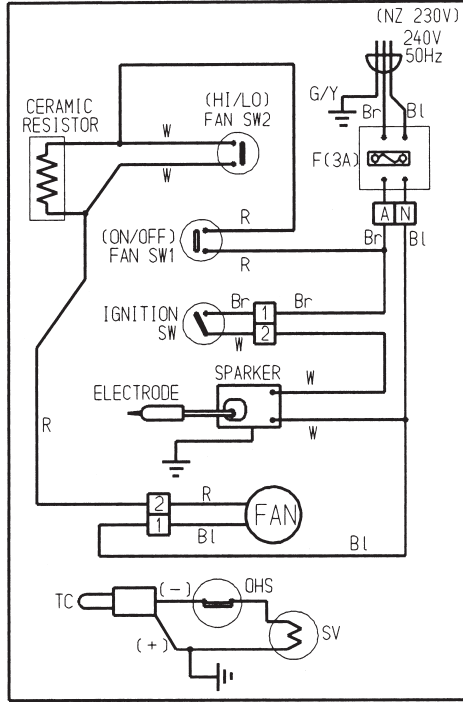
IF YOU ARE UNABLE TO GET THE UNIT TO WORK CORRECTLY, CONTACT RINNAI OR YOUR AGENT. CHECK PAGE 10, "FAULT FINDING" FIRST.

INSTRUCT CUSTOMER ON USE OF UNIT. TO GET THE MOST OUT OF THIS HEATER, THE CUSTOMER MUST UNDERSTAND HOW TO USE IT. MAKE SURE THE CUSTOMER UNDERSTANDS THE INSTRUCTIONS.

EXPLAIN -

Ignition; Thermostat, Fan Delay; Flame Failure; Fan Speeds; Turning Off; Pilot, whether to leave it on continuously or not.

WIRING DIAGRAM

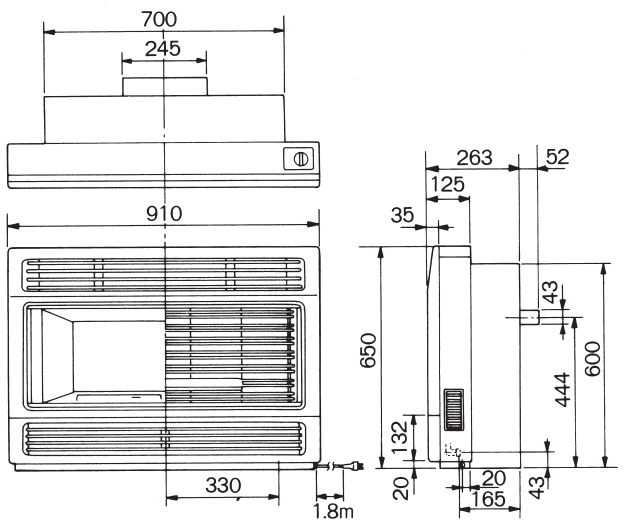


*Supply lead must only be replaced with Rinnai part number 548206.

Bl: Blue R: Red
 Br: Brown W: White
 G/Y: Green/Yellow

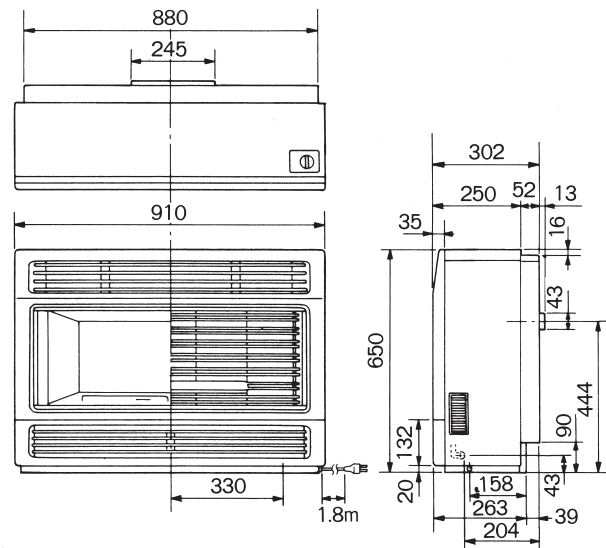
DIMENSIONS

Inbuilt



(mm)

Console



(mm)

SPECIFICATIONS

Description:	REH301EB (Inbuilt) REH301EC (Console) Rinnai 2001 Radiant/Convection space heater, with forced convection.
Input:	30 MJ/h Natural Gas and Propane
Gas Control:	Eurosit Combination Control
Burner:	Stainless Steel, Ribbon Type
Gas Inlet:	Barrel union/flare fitting (15mm flare connection)
Test Point Pressure:	Natural Gas 0.81 kPa; Propane 2.70 kPa.
Flue:	Natural Draught, for twin skin or fireplace installation.
Flue Termination:	An approved 100mm cowl must be fitted to all installations.
Ignition:	Electronic spark ignition to pilot.
Power Supply:	240V 50Hz unit is fitted with a supply lead and 3 pin plug, replace only with Rinnai part number 548206.
Fan:	Tangential 2 speed 25 watt rating.
Data Plate:	Bottom left hand side, behind front panel.

Rinnai are continually updating and improving products, therefore specifications are subject to change without prior notice.

SERVICE CONTACT POINTS

Rinnai

Rinnai Australia Pty. Ltd.
ABN 74 005 138 769

Head Office

100 Atlantic Drive
Keysborough, Victoria 3173
P.O. Box 460
Braeside, Victoria 3195
Tel: (03) 9271 6625
Fax: (03) 9271 6622

National Help Line

Tel: 1300 555 545* Fax: 1300 555 655*
**Cost of a local call Higher from mobile or public phones.*

Internet : www.rinnai.com.au
email : enquiry@rinnai.com.au

Rinnai Australia Pty. Ltd. Reserves the right to make modifications and change specifications without notice.



Printed in Japan
REH300-320X06 (00)
2014.11 ©