

RANGEHOOD & INSTALLATION GUIDE

EV-6UCQ

EV-9UCQ

schweigen

| | |
|---|-----------|
| 1. Before Installation | 3 |
| Important Information | 3 |
| 2. Maintenance & Service | 4 |
| Led Bulb Replacement | 5 |
| Electrical Cord | 5 |
| For Users | 5 |
| 3. Description | 6 |
| Rangehood Contents | 6 |
| Operation | 6 |
| Cutout Size | 6 |
| 4. Installation | 7 |
| Rangehood Size Vs Cooktop Size | 7 |
| Overhead Cabinet Rangehood Installation Position | 7 |
| Recommended Installation Height For Induction Cooktop | 8 |
| Mounting Points | 9 |
| Overview | 10 |
| 5. Condensation Information | 11 |
| 6. Troubleshooting | 12 |
| 7. Service | 13 |
| 8. Specifications | 14 |
| Dimensions | 14 |
| Technical Specifications | 14 |
| 9. Disclaimer | 15 |

Important

- Please read this section thoroughly before attempting to install or operate the rangehood. Inspect your product upon receipt. Any damage or defects **MUST** be reported within **48** hours, or no claim will be recognised.
- **Before installing the electrical connections, you should:**
 - Verify that the indicated electrical data coincide with the voltage values and frequency of the electrical circuit in the house where the rangehood is to be installed;
 - Check that the premises has electrical protection against short circuits and electrocution, pursuant to the applicable legislation;
 - Always switch off the current using the double-pole switch before maintenance and turn the power on again for normal use only when the operation has been completed.
- **DO NOT INSTALL THIS APPLIANCE IF YOU FIND IT DAMAGED.**
- If this product is installed damaged, neither the supplier, nor the retailer, will be responsible for the costs associated with the repair, replacement, removal or re-installation of the appliances.
- Please read the entire instructions before installing the rangehood, always switch power off prior to installation. All electrical work must be done by a registered electrician in accordance with local and national electrical codes as applicable. For your safety, this product must be earthed.
- The power socket must be accessible and enable the end user to isolate the rangehood from the power for the purpose of internal cleaning or maintenance.
- Check the contents of the packaging, check all electrical functions of the canopy before installation. Canopy is heavy. Please ensure adequate care when installing to prevent personal injury.
- A power outlet should be within reach of the power cord exit from the rangehood.
- The canopy hood is not intended for use by persons (including children) with reduced physical, sensory or mental capabilities, or lack of experience and knowledge, unless they have been given supervision or instruction concerning use of the appliance by a person responsible for their safety.
- Children should be supervised to ensure that they do not play with the appliance.
- There must be adequate ventilation of the room when the rangehood is used at the same time as appliances burning gas or other fuels.
- There is a fire risk if cleaning is not carried out in accordance with the instructions. You must read the details concerning the method and frequency of cleaning.
- Do not flambé under the rangehood. This will void the warranty.
- Exhaust air must not be discharged into an existing flue which is used for exhausting fumes from appliances burning gas or other fuels.
- The minimum distance between the hob surface and the lowest part of the rangehood is 650mm. This distance shall be at least 650mm, if the rangehood is installed over a gas hob. If the instructions for the gas hob specify a greater distance, this has to be taken into account.
- Attention should be given to ensure that any applicable regulations concerning the discharge of exhaust air is fulfilled. Even a partial obstruction will restrict the efficiency of the rangehood.
- Stainless steel is very easily damaged during installation if abraded or knocked by tools. Protect the rangehood with the cardboard box or plastic bag during installation.

2. Maintenance & Service

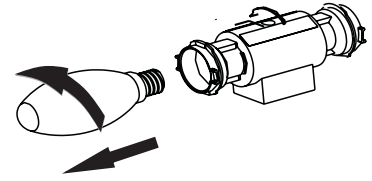
- CAUTION: Accessible parts may become hot when used with cooking appliances.
- We recommend this appliance be installed and repaired by a qualified technician.
- It is dangerous to modify any part of this appliance. Modification of any kind, will immediately void the warranty.
- The manufacturer declines all responsibility in case of failure to adopt proper safety measures.
- Please consult local laws and regulations and install in accordance.
- Use an electrical connector with earth that is correct for your location.
- Check that the voltage in your area corresponds to the appliance as indicated on the rating label.
- This appliance must be connected to an electricity supply with a ground connection.
- Check that the installation and electrical connections are made by a qualified technician and that the indicated instructions and local regulations in force are met, using materials that are compliant with the applicable legislation.
- The company will not be responsible for installations executed by non-qualified persons and installations that fail to heed the applicable legislation on electrical safety (with regard to both modes and materials).
- The electrical technical data can be found inside the rangehood, after removing the grease filters.
- The flexible power cable supplied is already connected internally and emerges from the rangehood near the air outlet tube.

Maintenance and Service

- Always switch off and disconnect power before cleaning.
- The rangehood surface should be cleaned with soft cloth and non-corrosive detergent. Wash with warm soapy water and a soft sponge. Never use abrasive detergent, scouring pads, steel wool or solvents on any part of this appliance, Always make sure to dry the appliance after cleaning and never leave wet, as this will cause irreparable damage.
- Clean the interior of the rangehood with a damp cloth and a neutral detergent or denatured alcohol.
- For better results, you can use high quality cleaning and protection products (e.g. Steel Kleen) to clean rangehood.
- Do not leave the rangehood surface wet after cleaning.
- Particular care must be taken with the aluminium filters which must be periodically cleaned (at least every month, this will vary depending on frequency of cooking and type of foods cooked). Remove the grease filters and wash them either by hand using hot soapy water or in the dishwasher using mild detergent. Do not scrub. Note - some discolouration of the frame may occur when washing in the dishwasher Caution: Never use abrasive or oil based liquid cleaners.
- If the grease filters are very dirty, the motor will extract only a small quantity of air, which reduces its efficiency. The grease deposits that build up on the filter are highly flammable and **COULD EASILY CATCH FIRE**. The manufacturer is exonerated from all responsibility in the event of fire due to poor maintenance of the grease filters.
- Important: Never attempt to repair this appliance by yourself. Always refer to a qualified Service Technician. Remember to always switch off the electricity and unplug the connection before conducting maintenance or cleaning.

Incandescent Bulb Replacement

- Switch off the power to the canopy hood and allow the bulb to cool.
- Remove the bulb by turning it by hand in an anti clockwise direction
- Care must be taken to avoid the bulb falling onto the hob top
- Replace the bulb by inserting it into the socket and hand turning in a clockwise direction



Electrical Cord

Ensure the supply cord is not exposed to heat, chemicals or sharp objects. If the supply cord is damaged, it must be replaced by the manufacturer, service agent or a similarly qualified person in order to avoid a hazard.

For Users

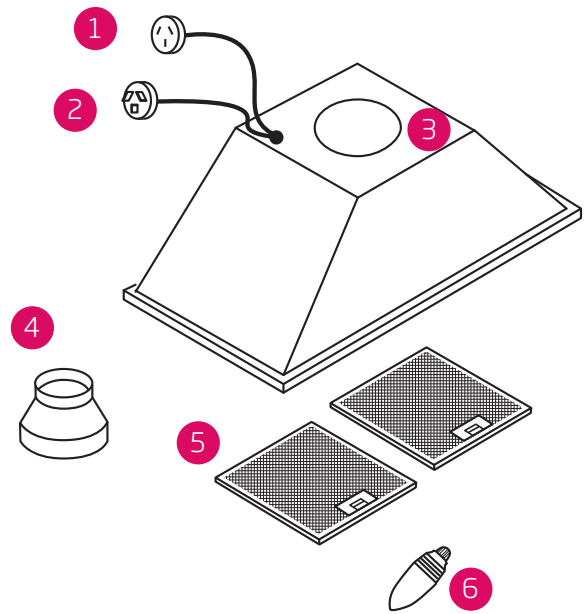
- This product is designed for household use and should not be used outside or for commercial applications. After use, always ensure that all controls are in the "OFF" position. When frying with a gas flame, take particular care not to allow the oil or grease in the pan to catch fire. (Flambé)
- Do not leave the frying pan or fryer unattended, as the oil could overheat and catch fire.
- Never flambé any foods beneath the rangehood. The flames could cause a fire.
- Before carrying out any operation inside the rangehood, unplug the appliance from the electrical mains.
- Respect the cleaning frequencies and intervals for changing the filters, as otherwise the accumulated grease could cause a fire or damage the product.
- Changes made to the steel surface will render the warranty invalid.

3. Description

Rangehood Contents

1. Power to external motor system
2. Male Plug (Main Power 240V)
3. Single 200mm Outlet
4. Reducer - only for Hiflow & Isodrive 650 motors
5. Filter
6. Light

Note: Filter and light quantity may vary from model to model.



Operation

This undermount is equipped with an ON/OFF switch. When the "ON" position is selected the unit will run at maximum. When the "OFF" position is selected the rangehood will turn off.

| | |
|----------------|---|
| Fan ✕ | "I" is the ON position and "O" is the OFF position. |
| Light ☀ | "I" is the ON position and "O" is the OFF position. |

Cutout Size

Please use this as a guide only when designing your cabinet. Alternatively, present the rangehood to your cabinet maker so that they may take their own measurements and check that the rangehood fits in the cabinet correctly.

(60cm - 572mm approx.) (90cm - 872mm approx.)



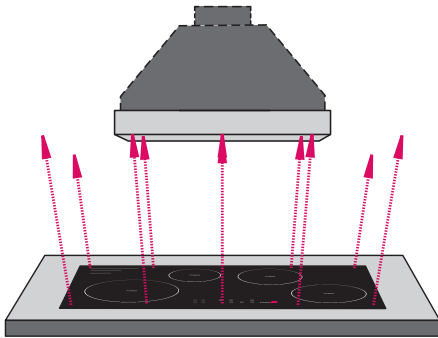
267mm approx.

Note: Please make sure that all plastic protection on the rangehood and filters are removed before use.

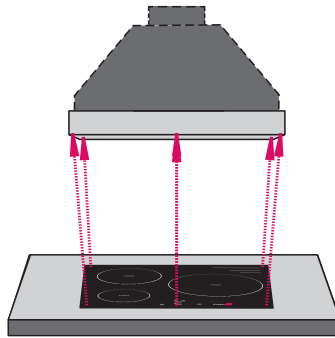
Note: Dimensions may be subject to change.

Rangehood Size vs Cooktop Size

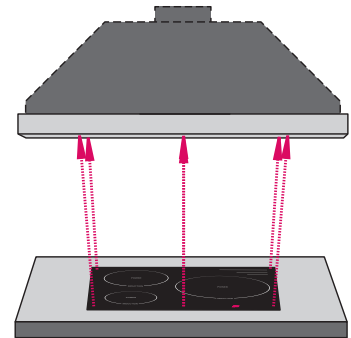
In addition to the size, the height of the rangehood above the cooktop is important to obtain the best performance.



INADEQUATE
Rangehood smaller than cooking zone



ADEQUATE
Rangehood same size as cooking zone



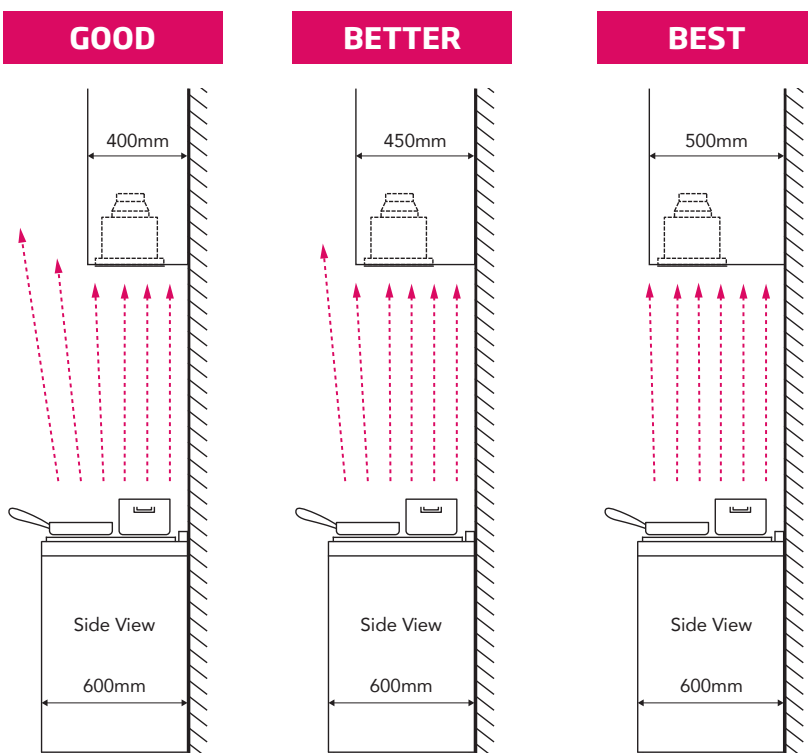
OPTIMAL
Rangehood larger than cooking zone

Overhead cabinet Rangehood Installation position

It is important to consider the benchtop and overhead cabinetry depth before installing the rangehood.

The information below is to be used as a guide only, drawings are not to scale and do not account for all circumstances.

The cooktop is centrally installed in the benchtop in the diagrams below.



When the overhead cabinetry is constructed and installed deeper than standard, ensure the rangehood is installed as close to the front as possible. This will increase the rangehood extraction results as there is a greater coverage of the cooktop surface area.

4. Installation

Mounting Instructions

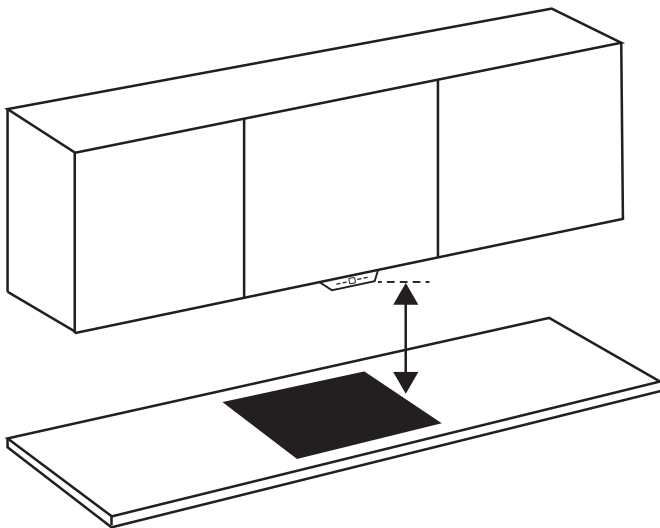
It is **STRONGLY RECOMMENDED** that the rangehood be installed centrally over the cooktop. This will greatly improve its performance.

Minimum height from the hob top surface to the underside face of the rangehood:

- 650mm electric cooktop
- 650mm gas cooktop

Any installation above 800mm will compromise the extraction performance.

Note: If the instructions for the gas cooktop specify a greater distance, this must be taken into account.



Measurements are from the top of the trivets to the lowest part of the rangehood, including the button controls.

***IMPORTANT:** If the user decides to install the rangehood at a distance of less than minimum height above the cooking surface, Schweigen declines responsibility for damages suffered by the rangehood due to excess heat or damage to objects, people and others caused directly or indirectly by a malfunction, breakage or fire.

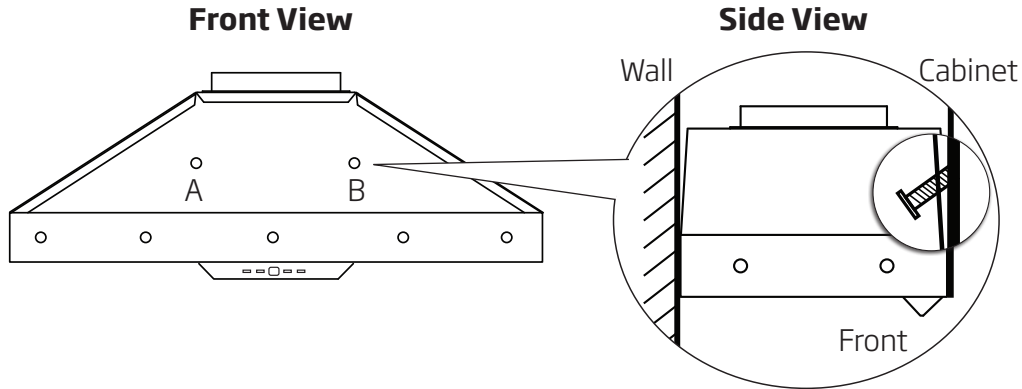
Recommended Installation Height for Induction Cooktop

To help avoid condensation, particular to cooking with an induction cooktop, Schweigen recommends a height of 700mm. Refer to page xx for further information.

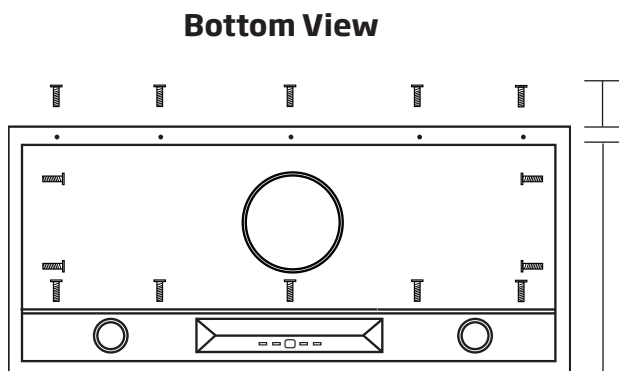
***Important: Please check all State and Federal Laws in relation to the minimum-maximum heights, regulations concerning the expelling of air and install your rangehood in accordance with local laws and regulations.**

MOUNTING POINTS

The diagrams below are a guide for all mounting points.



Mounting point A and B need to be tightened with slightly angled screws to pull the rangehood up tight to the cabinet.



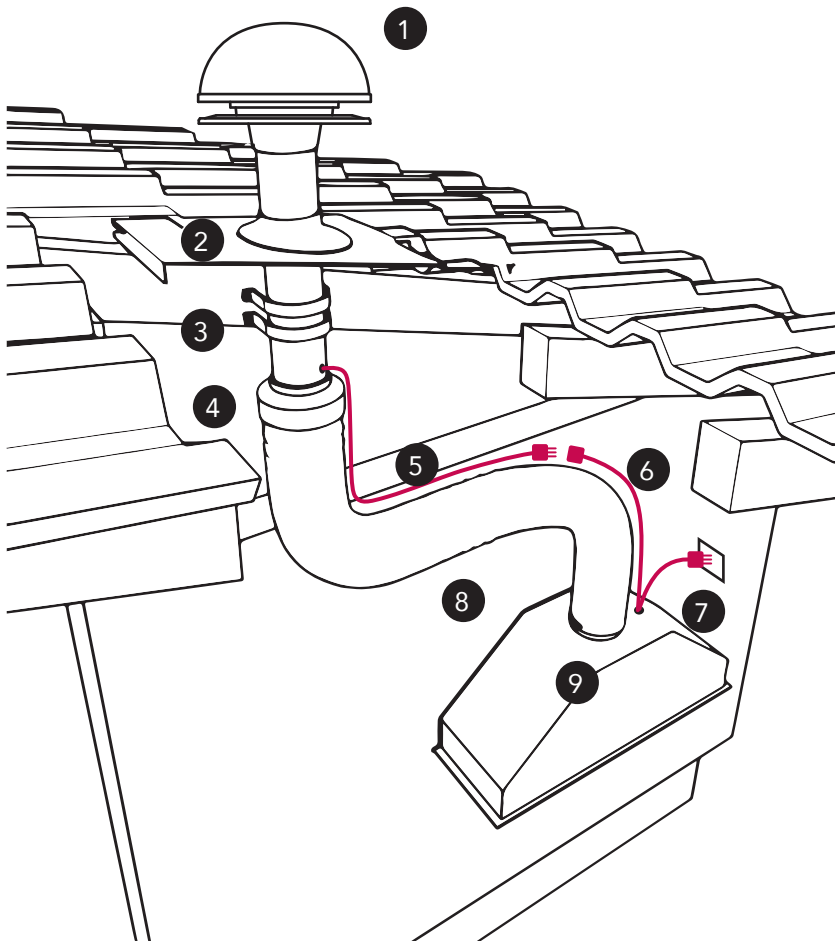
These support screws insert from the bottom of the rangehood.

These support screws insert from the inside of the cabinet.

4. Installation

Overview

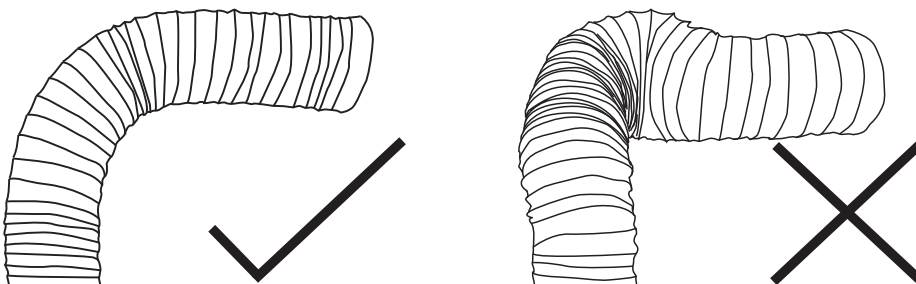
NOTE: For more information, please refer to motor installation guide.



1. XDrive-600 Motor
2. Roof Seal Kit (Dektite)*
3. Support Straps*
4. Attach Flexi Duct to Bell-Mouth Adaptor using duct tape and cable tie. **DO NOT** rip the ducting.
5. Motor Power Lead (Male Plug)
6. Rangehood to Motor Lead (Female Plug)
7. Main Power Lead (Male Plug)
8. Flexi Ducting must be pulled taut. **DO NOT** crush or kink the ducting. Keep ducting secured in place.
9. Connect flexi ducting to the outlet on rangehood using duct tape or cable tie. Please **DO NOT** rip the ducting.

***NOTE:** The motor system does not include a roof seal kit, support straps, duct tape and cable ties. There is a separate Motor Installation Guide in the Motor Box.

Flexi Ducting



IMPORTANT: For the motor to operate efficiently, do not crush or kink the flexi ducting, as it will reduce air flow and may cause noise to occur through the system. Ducting needs to be kept taut at all times.

Cooking with Induction Cooktops

Cooking with an induction or similar cooktop, may produce condensation on the rangehood.

Unlike basic electric or gas cooking, induction cooktops heat food and liquid instantly, which in turn, produces vapours rapidly. Because of this rapid process, the rangehood filters do not have enough time to warm, which increases the chance of condensation forming.

There are many variables that may contribute to condensation forming, some of which include but are not limited to:

- Variance in climate - geographical location
- Position of your home & kitchen - morning/afternoon sun
- Installation distance from cooktop to the rangehood
- Speed of food & liquid heating
- Angle of ducting - Sshweigen 'S' bend preferred
- Filter size - larger canopy preferred
- Quality of pots or cookware you are using - high quality recommended

How to reduce the possibility of condensation forming:

- Ensure the rangehood is installed by a qualified professional, carefully following the installation guide
- Turn on the rangehood 5-10 minutes prior to cooking, and leave on for 5-10 minutes after cooking; this helps clear remaining vapours from the flue.
- Start the cooking process at a low-to-medium setting and allow time for the rangehood to warm up.
- Clean filters regularly.
- Ensure constant airflow in the cooking zone; this helps optimise the rate of extraction.
- Follow all induction cooktop manufacturer advice.

For further advice, tips or information regarding cooking with induction, please contact your induction cooktop manufacturer.

6. Troubleshooting

Troubleshooting

If the product does not work:

Before you contact the service centre, make sure the product is plugged in, the electrical fuse (on selected models) is in correctly and electrical wiring is connected. Do not take any action that will damage the product.

| | Check electric connection. Voltage of the electric network should be between 220 - 240V, rangehood should be connected to grounded plug and turned on. | Check rangehood's motor switch. Ensure that there is power to the rangehood, the motor is connected to the rangehood and the rangehood is switched on. | Check lamp switch. Lamp switch should be at "on" position. | Check metal filter. Metal filter should be washed regularly, see filter cleaning. | Check lamps. Lamps should be firm. | Check outlet. Outlet should be open. | Check lamps. Make sure they are not broken or faulty. Replace if broken. | Please make sure there is no obstruction in ducting and back draft fins. | Check the outlet, make sure it is not blocked and you have the correct diameter ducting installed. | Check Isodrive installation manual, make sure the flexi ducting is installed correctly, eg. Length of ducting used, keep the ducting taut. | Check motor to make sure it hasn't been obstructed or damaged by flying debris. |
|-----------------------------------|--|--|--|---|------------------------------------|--------------------------------------|--|--|--|--|---|
| Rangehood does not work | X | X | | | | | | | | | |
| Light does not work | X | | X | | X | | X | | | | |
| Rangehood air suction is weak | X | | | X | | X | | X | X | | |
| Rangehood does not direct air out | X | | | X | | | | X | | | |
| Loud noise from the rangehood | X | | | | | | | | X | X | |

Service

In the event that the failure is not due to the faults mentioned in Troubleshooting, contact the customer service centre.

In Australia,

Customer Service 1300 829 066

In New Zealand,

Customer Service 0800 200 510

Lodging an Online Service Request

In the event that failure is not due the reason/s in the trouble shooting section, you can lodge an online Service Request. To lodge Service Request, visit our website <https://www.schweigen.com.au/service-and-warranty> and click on the link and complete the service request form.

A service request will require the following information:

- The purchase date
- The model number
- Therangehood model and motor type (eg. IsoDrive 650)
- The serial number or batch number (this number is on a sticker inside the rangehood).
- A copy of the purchase receipt (without a receipt your service request cannot be processed).

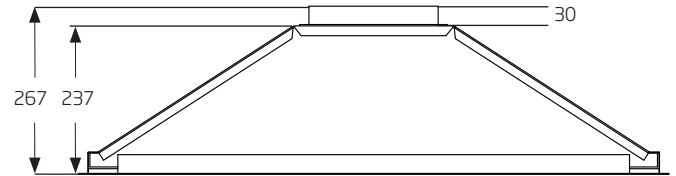
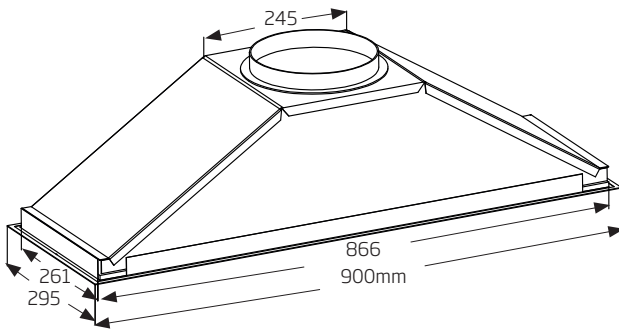
Faulty Installation

It is not the responsibility of Schweigen to rectify any incorrect installations. A service call out fee will be charged for any Schweigen technician that attends a call, whereby it is established that the fault is due to an incorrect installation or non-manufacturing fault. Should the appliance be installed in such a way that the service agent is unable to gain access to the appliance, the person/s who own the premises or the property where the appliance resides – will be responsible to provide access to the appliance at their expense.

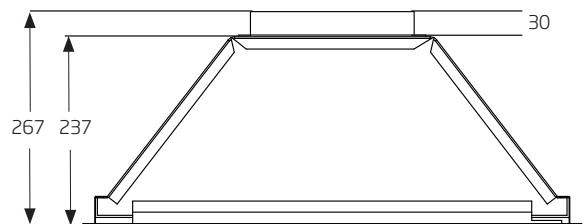
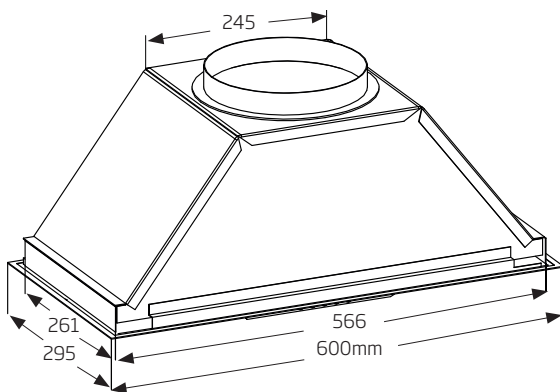
8. Specifications

DIMENSIONS

EV-9UCQ



EV-6UCQ

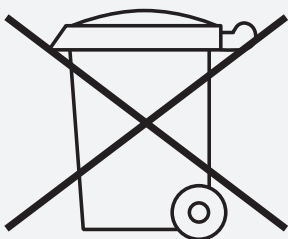


Technical Specifications

| | |
|-----------------|-------------------|
| Model | EV-6UCQ & EV-9UCQ |
| Feeding Voltage | 220-240V 50Hz |
| Lamp Power | 2 x 25W |
| Approval Number | |

Disclaimer

Under our policy of continuous product development, product specifications may change without notice. Prospective purchasers should therefore check with the retailer to ensure this publication correctly describes the products being offered for sale. All information supplied is to be used for general reference purposes only and is on the understanding that Scandium will not be liable for any loss, liability or damage of whatever kind arising as a result of any reliance upon such information. All pictures used in the guide are for illustrative purposes only.



The symbol on the product or its packaging indicates that it cannot be treated as normal household waste. Take this product to your nearest electrical and electronic equipment waste point for recycling. By correctly disposing of this product, you will be helping to prevent potentially negative consequences for the environment and public health, which could arise if this product is not handled in the appropriate way. For more details about the recycling of this product please contact the authorities of your city or town, your local household waste service or the store where you purchased the product.

schweigen

Australia 8/3-4 Anzed Court, Mulgrave 3170 Victoria. **Phone** 1300 881 693

Email sales@schweigen.com.au **Web** www.schweigen.com.au

New Zealand 5 Tolich Place, Henderson, Auckland 0610. **Phone** 0800 200 510

Email info.parex@emerson.com **Web** www.parex.co.nz