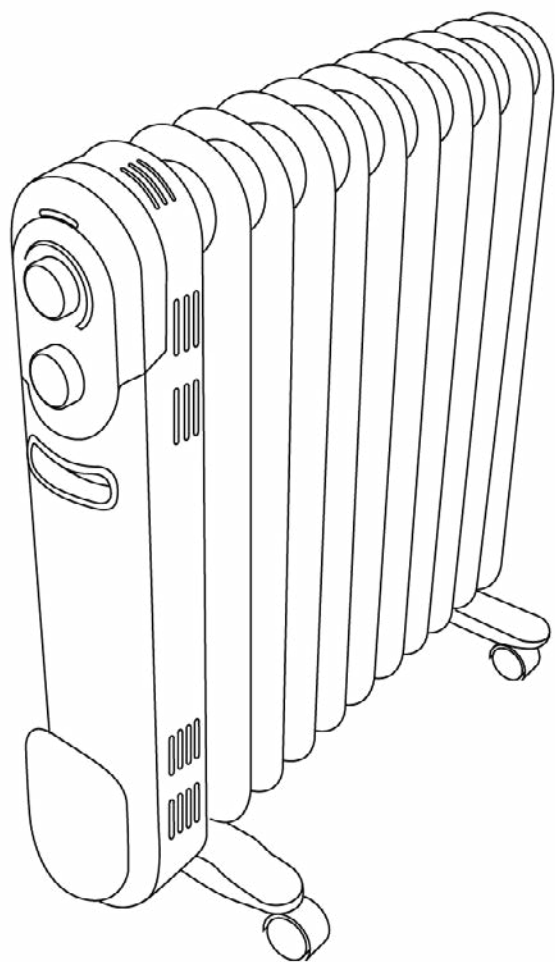




## INSTRUCTION MANUAL



### **Oil Column Heater**

Model: EWT15C & EWT24C

---

For domestic household use only.



## IMPORTANT

THESE INSTRUCTIONS SHOULD BE READ CAREFULLY AND RETAINED FOR FUTURE REFERENCE. **Note also the information presented on the appliance**

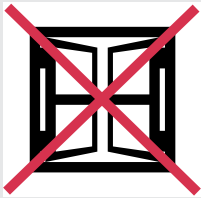
### **CAUTION: FAILURE TO FOLLOW THESE INSTRUCTIONS MAY CAUSE INJURY AND/OR DAMAGE AND MAY INVALIDATE YOUR WARRANTY**

Please read the operating instructions carefully before using your product for the first time and keep them in a safe place.

- When using electrical appliances, basic precautions should always be followed to reduce the risk of fire, electrical shock and injury to persons, including the following:
- If the appliance is damaged, check with the supplier before installation and operation.
  - Do not use outdoors.
  - Do not use in the immediate surroundings of a bath, shower or a swimming pool.
  - Do not use this heater if it has been dropped.
  - Do not use if there are visible signs of damage to the heater.
  - Use this heater on a horizontal and stable surface, or fix it to the wall, as applicable.
- Do not locate the appliance immediately below a fixed socket outlet or connection box.
- This appliance is not intended for use by persons (including children) with reduced physical, sensory or mental capabilities, or lack of experience and knowledge, unless they have been given supervision or instruction concerning use of the appliance by a person responsible for their safety.
- Children should be supervised to ensure that they do not play with the appliance.
- Do not use this appliance in series with a thermal control, a program controller, a timer or any other device that switches on the heat automatically, since a fire risk exists when the appliance is accidentally covered or displaced.
- In the event of a fault, unplug the appliance.
- Unplug the appliance when not required for long periods.
- This product is only intended for INDOOR RESIDENTIAL applications only.
- **DO NOT** cover cord with carpeting, throw rugs, runners, or similar coverings.
- **DO NOT** route cord under furniture or appliances. Take care to position the cord away from traffic areas and where it will not be a tripping hazard.
- This appliance must not be used in a bathroom.
- Although this appliance complies with safety standards, we do not recommend its use on deep pile carpets or on long hair type of rugs
- The appliance must be positioned so that the plug is accessible.
- If the supply cord is damaged it must be replaced by the manufacturer or service

agent or a similarly qualified person in order to avoid a hazard.

- Keep the supply cord away from the front of the appliance.
- Do not use this heater in small rooms when they are occupied by persons not capable of leaving the room on their own, unless constant supervision is provided.
- To reduce the risk of fire, keep textiles, curtains and or flammable material a minimum distance of 1m from the air outlet.
- In order to avoid overheating, **DO NOT COVER** the appliance. Do not place material or garments on the appliance, or obstruct the air circulation around the appliance, for instance by curtains or furniture, as this could cause overheating and a fire risk.
- In order to avoid a hazard due to inadvertent resetting of the thermal cut-out, this appliance must not be supplied through an external switching device, such as a timer, or connected to a circuit that is regularly switched on and off by the utility.
- Some parts of this product can become very hot and cause burns. Particular attention has to be given where children and vulnerable people are present.



Exposed to the weather outdoors



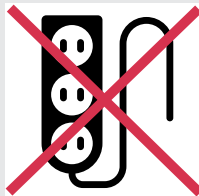
Near water



If the power cable wires are frayed or cut



Where small children may be left unattended



If an extension lead may become overloaded



Where the power cable may be damaged



On a slope or uneven surface



Where there is risk of fire or close to a naked flame



Where it may be damaged by chemicals



Where there is a risk of interference by foreign objects



This product is not made for DIY repair



If there is a risk of water falling on the unit

## Specifications

Model no.	EWT15C	EWT24C
Power supply	220-240V~, 50Hz	
Rated power	1500W	2400W
Heat settings	3	
• Heat setting 1	600W	1000W
• Heat setting 2	900W	1400W
• Heat setting 3	1500W	2400W
Weight (net)	7.8kg	11.5kg
Dimensions (w x d x h)	245 x 380 x 630mm	245 x 560 x 630mm

\*For greater precision, please always refer to the rating label placed on the product.

## Safety Features

This appliance incorporates a number of safety devices. In addition to the 'Important Safety Advice' section your attention is drawn to the following;

### Tilt Switch

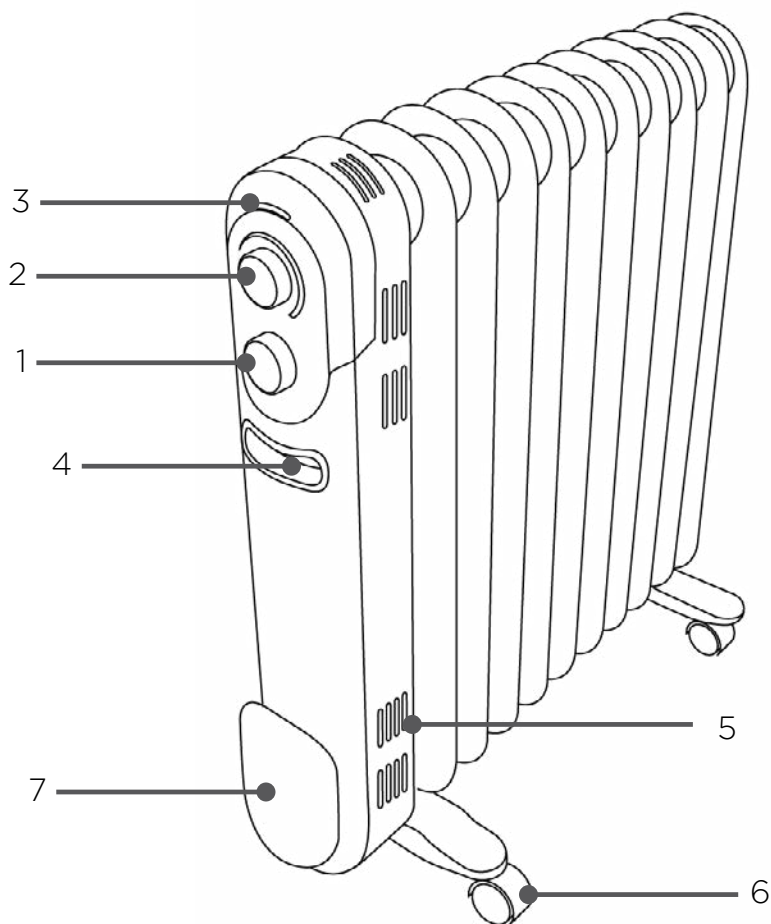
The tilt switch will prevent the heater from working if it is accidentally tipped over on its side.

If the radiator is tipped over while it is hot, disconnect the power and allow it to cool, then stand the radiator back upright. Reconnect the power - normal operation should be resumed.

### Overheat Protection

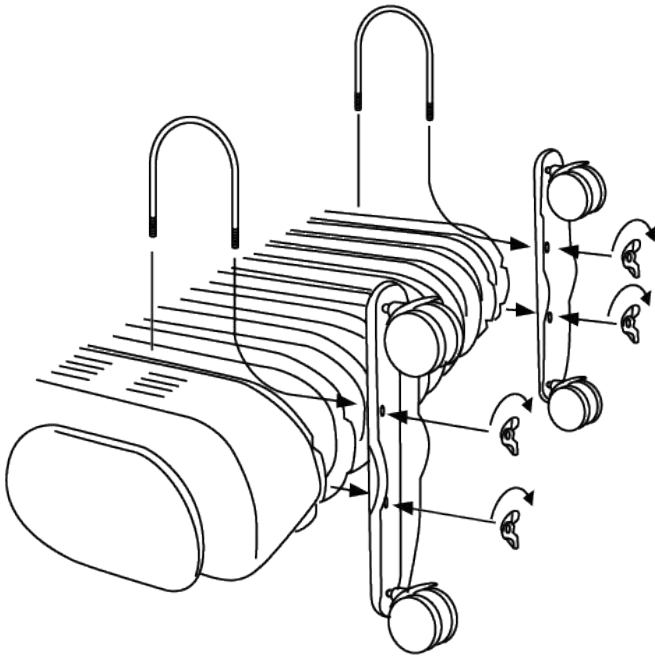
The heater is fitted with a temperature limiter which will reduce the output of the heater should it overheat for any reason. The product will return to normal operation after the cause of the over heating has been rectified.

## Parts



1. On/Off & heat selector dial
2. Thermostat dial
3. Neon
4. Carry handle
5. Ventilation openings
6. Castors
7. Cord wrap

## Fitting The Castors



1. To fit the castors, turn the radiator upside down on carpet or another soft surface to avoid damage  
Warning: The radiator is heavy – ensure that it is supported to prevent it from toppling. Ask a second person to help with this if necessary.
2. To fit the castors, place the castor plates in position and secure using the wing bolts provided. There are guides to ensure the correct positioning and orientation of the castor plate.
3. Return the radiator to the correct orientation so it rests on the castors. The product is now ready for use.

## Operation

**Note:** When turning on the product for the first time, it may emit a little smoke and smell for a short period. This is normal and will subside.

Position the heater at least 1m from the wall and other surroundings. We recommend maximising the clearance where possible.

### On

Switch the product **ON** by turning the dial (1) clockwise to the desired heat setting. There are 3 heat settings to choose from, as indicated in the specifications table. The neon (3) will indicate the heat setting selected.

### Thermostat

To set the temperature, turn the thermostat dial (2) clockwise until the required setting is reached. Alternatively to heat a cold room quickly, turn the thermostat dial up fully. To decrease the set temperature, turn the dial anti-clockwise.

### Off

To turn the unit **OFF**, turn the dial (1) to the '0' position

## Cleaning

Over time, dust can accumulate on the heater, which can affect performance. It is recommended to clean the unit at least once a month.

1. Turn the unit **OFF** and disconnect the appliance from the power supply.
2. Remove any dust build up with a soft brush.
3. Wipe the surface of the unit with a soft damp cloth. Mild detergent can be used for any stubborn marks.

### **IMPORTANT**

The control panel and other parts must not come into contact with water or any other liquids.

### **Storage**

If not using the unit for an extended period of time, after cleaning please:

- Ensure control switch is OFF and remove plug from the power outlet.
- Cover the unit and store it upright in a location where it will not receive direct sunlight. NB- Prolonged exposure to direct sunlight will discolour the enclosure.



## Warranty

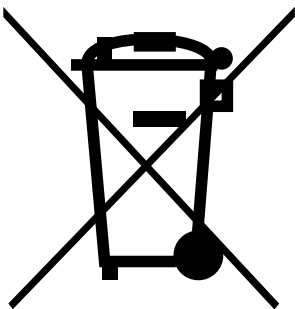
Please refer to the warranty card in the box for warranty information.

For any troubleshooting advice, please contact the Customer Care Centre below.

### **Glen Dimplex Australia Pty Ltd**

1340 Ferntree Gully Road,  
Scoresby 3179, Victoria  
Australia

Ph: 1300 556 816



*Recycling: Do not dispose of electrical appliances as unsorted municipal waste. Use separate collection facilities. Contact your local government for information regarding the collection systems available. If electrical appliances are disposed of in landfills or dumps, hazardous substances can leak into the ground water, polluting the food chain and damaging health and well-being.*

---

**ewt**<sup>®</sup>

**Customer Care:** 1300 556 816  
customer.care@glendimplex.com.au  
www.dimplex.com.au

Supplied by Glen Dimplex Australia  
1340 Ferntree Gully Road, Scoresby, Victoria, 3179

---

© Glen Dimplex Australia. All rights reserved. Material contained in this publication may not be reproduced in whole or in part, without prior permission in writing of Glen Dimplex Australia.